

COMFORT SU

SU500F, SU700M, SU1100M

Gear-motor for sliding gates
Getriebe für Schiebetore
Motoriduttori per cancelli scorrevoli
Motoreducteur pour coulissants
Motorreductores para puertas correderas
Motorreductores para portões de correr
Naped silnikowy do bram przesuwnych

INDEX

1	Safety warnings	pag. 3
2	Product overview	pag. 4
2.1	Product description	pag. 4
2.2	Models and technical characteristics	pag. 4
3	Preliminary checks	pag. 4
4	Installing the product	pag. 5
4.1	Installation	pag. 5
4.2	Installing the foundation box	pag. 5
4.3	Motor unlock	pag. 5
4.4	Fixing the plate	pag. 5
4.5	Rack assembling	pag. 5
4.6	Limit switch fixing	
5	Testing and commissioning	pag. 6
5.1	Testing	pag. 6
5.2	Commissioning	pag. 6
5.3	Instructions and warnings for the end user	pag. 7
6	Images	pag. 45
7	EC Declaration of Conformity	pag. 49

1 - SAFETY WARNINGS

ATTENTION !

ORIGINAL INSTRUCTIONS - important safety instructions. Follow the instructions since incorrect installation can lead to severe injury! Save these instructions.

Read the instructions carefully before proceeding with installation.

The design and manufacture of the devices making up the product and the information in this manual are compliant with current safety standards. However, incorrect installation or programming may cause serious injury to those working on or using the system. Compliance with the instructions provided here when installing the product is therefore extremely important.

If in any doubt regarding installation, do not proceed and contact the Marantec Technical Service for clarifications.

Under European legislation, an automatic door or gate system must comply with the standards envisaged in the Directive 2006/42/EC (Machinery Directive) and in particular standards EN 12453; EN 12635 and EN 13241-1, which enable declaration of presumed conformity of the automation system.

Therefore, final connection of the automation system to the electrical mains, system testing, commissioning and routine maintenance must be performed by skilled, qualified personnel, in observance of the instructions in the "Testing and commissioning the automation system" section.

The aforesaid personnel are also responsible for the tests required to verify the solutions adopted according to the risks present, and for ensuring observance of all legal provisions, standards and regulations, with particular reference to all requirements of the EN12453 standard which establishes the test methods for testing door and gate automation systems.

ATTENTION !

Before starting installation, perform the following checks and assessments:

ensure that every device used to set up the automation system is suited to the intended system overall. For this purpose, pay special attention to the data provided in the "Technical specifications" section. Do not proceed with installation if any one of these devices is not suitable for its intended purpose;

check that the devices purchased are sufficient to guarantee system safety and functionality;

perform a risk assessment, including a list of the essential safety requirements as envisaged in Annex I of the Machinery Directive, specifying the solutions adopted. The risk assessment is one of the documents included in the automation system's technical file. This must be compiled by a professional installer.

Considering the risk situations that may arise during installation phases and use of the product, the automation system must be installed in compliance with the following safety precautions:

never make modifications to any part of the automation system other than those specified in this manual. Operations of this type can only lead to malfunctions. The manufacturer declines all liability for damage caused by unauthorised modifications to products;

if the power cable is damaged, it must be replaced by the manufacturer or its after-sales service, or in all cases by a person with similar qualifications, to prevent all risks;

do not allow parts of the automation system to be immersed in water or other liquids. During installation ensure that no liquids are able to enter the various devices;

should this occur, disconnect the power supply immediately and contact a Marantec Service Centre. Use of the automation system in these conditions may cause hazards;

never place automation system components near to sources of heat or expose them to naked lights. This may damage system components and cause malfunctions, fire or hazards;

ATTENTION !

The drive shall be disconnected from its power source during cleaning, maintenance and when replacing parts. If the disconnect device is not in a visible location, affix a notice stating: "MAINTENANCE IN PROGRESS":

connect all devices to an electric power line equipped with an earthing system;

the product cannot be considered to provide effective protection against intrusion. If effective protection is required, the automation system must be combined with other devices;

the product may not be used until the automation system "commissioning" procedure has been performed as specified in the "Automation system testing and commissioning" section;

the system power supply line must include a circuit breaker device with a contact gap allowing complete disconnection in the conditions specified by class III overvoltage;

use unions with IP55 or higher protection when connecting hoses, pipes or cable glands;

the electrical system upstream of the automation system must comply with the relevant regulations and be constructed to good workmanship standards;

this appliance can be used by children aged from 8 years and above and persons with reduced physical, sensory or mental capabilities or lack of experience and knowledge if they have been given supervision or instruction concerning use of the appliance in a safe way and understand the hazards involved;

before starting the automation system, ensure that there is no-one in the immediate vicinity;

before proceeding with any cleaning or maintenance work on the automation system, disconnect it from the electrical mains;

special care must be taken to avoid crushing between the part operated by the automation system and any fixed parts around it; children must be supervised to ensure that they do not play with the equipment.

that the drive cannot be used with a driven part incorporating a wicket door unless the drive can only be operated with the wicket door in the safe position;

ATTENTION !

Frequently examine the installation for imbalance where applicable and signs of wear or damage to cables, springs and mounting.

Do not use if repair or adjustment is necessary.

ATTENTION !

The automation system component packaging material must be disposed of in full observance of current local waste disposal legislation.

Marantec reserves the right to amend these instructions if necessary; they and/or any more recent versions are available at www.marantec.com

2 - INTRODUCING THE PRODUCT

2.1 - Description of the product

The gear motor COMFORT SU is intended to be installed within systems for the automation of sliding gates. The COMFORT SU gear motors have been designed to automate sliding gates within the

weight limits indicated in the technical specifications table. The use of gear motors for applications which differ from those indicated above is prohibited.

2.2 - Model and technical characteristics

Code	Description
SU500F	24 Vac gear motor with magnetic limit switches, gate maximum weight 500 Kg
SU700M	24 Vdc gear motor with mechanical limit switches, gate maximum weight 700 Kg
SU1100M	24 Vdc gear motor with mechanical limit switches, gate maximum weight 1100 Kg

TECHNICAL DATA

MODELS		SU500F	SU700M	SU1100M
TECHNICAL SPEC.				
Speed	cm/s	40	25	20
Torque	Nm	23	26	38
Working cycle	%	70	80	80
Control unit		CBX10224F	CBX10224	CBX10224
Power supply	Vac (Vdc)	230(24)	230(24)	230(24)
Absorption	A	1,5	1,5	1,3
Engine power	W	345	345	300
Capacitor	µF	-	-	-
Thermoprotection	°C	110	-	-
Integrated lights		-	-	-
Degree of protection	IP	44	44	44
Dimensions (L-P-H)	mm	330-210-300	330-210-300	330-210-300
Weight	Kg	12,5	12,5	13
Operating temperat.	°C	-20+55	-20+55	-20+55
Leaves max weight	Kg	500	700	1100
Sound emission level	dB(A)	≤ 70	≤ 70	≤ 70

3 - PRELIMINARY CHECKS

Before installing this product, verify and check the following steps:

- Check that the gate or door are suitable for automation
- The weight and size of the gate or door must be within the maximum permissible operating limits
- Check the presence and strength of the security mechanical stops of the gate or door
- Check that the mounting area of the product is not subject to flooding
- Conditions of high acidity or salinity or proximity to heat sources could cause malfunction of the product
- Extreme weather conditions (for example the presence of snow, ice, high temperature range, high temperatures) may increase the friction and therefore the force required for the handling and initial starting point may be higher than under normal conditions.
- Check that the manual operation of gate or door is smooth and friction-free and there is no risk of derailment of the same
- Check that the gate or door are in equilibrium and stationary if left in any position
- Check that the power line to supply the product is equipped with proper grounding safety and protected by a magnetothermal and differential security device
- Provide the power system with a disconnecting device with a gap of contacts enabling full disconnection under the conditions dictated by the overvoltage category III.
- Ensure that all materials used for the installation comply with current regulations

4 - PRODUCT INSTALLATION

4.1 - Installation

ATTENTION !

They shall state that the installer shall check that the temperature range marked on the drive is suitable for the location.

Before proceeding with the installation, check the integrity of the product and that all components are present in the package. Check that the gate weight respects the limit of the table (paragraph 2.2) and dimensions of the gear motor are met (Fig. 1).

Fig.2 shows a typical installation:

Gear motor (1)
Photocells (2)
Columns for photocells (3)
Flashing light with antenna (4)
Key switch or digital keypad (5)
Pressure-sensitive edge (6)

ATTENTION !

The automation system must be equipped with a pressure-sensitive edge protecting all possible crushing points (hands, feet, etc.) in accordance with the requirements of the EN 13241-1 standard.

4.2 - Installing the foundation box

Verify the orientation and the overall dimensions of the base plate, fix to ground the base-plate through 4 sturdy screw-anchors or drown it into the concrete (Fig.3).

Provide one or more corrugated duct tubes for routing the electric cables.

ATTENTION !

The exact dimensions of the rack must be known to allow precise calculation of the fixing plate position.

4.3 - Motor unlock

To release the gearmotor remove the cap on the side (Fig.4.1) and turn the pin with the release key or the Sub remote control (Fig.4.2). Then turn the lever (Fig.5).

ATTENTION !

With motors with integrated night lights (Night Light System) make sure not to rip off the cable that connects the leds on the cover with the control board. If necessary, disconnect the connector shown in figure 7.

4.4 - Fixing the plate

Open the cover by applying leverage with a screwdriver on the recesses at the sides (Fig.6).

Place the gearmotor on the plate and fix the 4 nuts (Fig.8a). If the permitted adjustment of the rack is not sufficient, before tightening the nuts the height of the gearmotor can be corrected using the four regulator stud bolts (Fig.8b).

After the adjustment, it is important to fully tighten the nuts, making

sure that the gearmotor is firmly anchored to the ground throughout the gate's travel stroke.

The screws should be tightened again after the gearmotor has been operated a few times.

Replace the cover so that the light is pointed in the required direction (Fig.9), such as towards the passage.

4.5 - Rack assembling

Open entirely the gate.

Put a rack element on the pinion gear and fasten it to the gate with screw and spacing bars (Fig.10).

Move the gate manually bringing the pinion gear into line with the last spacing bar.

Fasten the rack element for good.

For a correct positioning of the other elements and to assure their straightness, it is necessary to employ a rack element using it as support and reference. It is besides necessary to assure an aperture of 2 mm between rack and pinion gear, so that the gate weight doesn't rest on the gearmotor pinion gear.

4.6 - Limit switch fixing

ATTENTION !

The gate has to be equipped with stop locks at the opening and closing, which prevent the gate derailment.

The stop lock position must assure that the limit switch brackets don't collide with the pinion gear. (Fig.11)

Haul the gate manually at the opening leaving, depending on the gate weight, a crack from 30 to 50 mm between the main gate and mechanical stop.

Fasten the limit switch bracket through the dowels so that the limit switch is pressed (Fig.11).

Follow the instructions of the control panel and close the cover.

5 - TESTING AND COMMISSIONING THE AUTOMATION SYSTEM

The testing of the system must be performed by qualified technicians who must perform the tests required by relevant legislation related to risks, ensuring compliance with the provisions of the

regulations, in particular the EN12453 standard, which specifies the testing methods for the automation of doors and gates.

5.1 - Testing

All system components must be tested following the procedures outlined in the respective instruction manuals.

Check that they meet the guidelines in Chapter 1 - Safety warnings
Check that the gate or door can move freely once the automation is unlocked, and that they are in equilibrium and stationary if left in any position.

Check the correct operation of all connected devices (photocells, sensitive edges, emergency buttons, etc.), testing the opening, closing and stopping of the gate or door via the connected control devices (transmitters, buttons, switches).

Carry out measurements of the impact force, as prescribed by standard EN12453 adjusting the functions of speed, motor force and deceleration of the unit if the measurements do not give the desired results until you find the right setting.

5.2 - Commissioning

Following the successful testing of all (and not just some) devices in the system you can proceed with the commissioning.

You must prepare, and keep for 10 years, the technical file of the system with the wiring diagram, drawing or photo of the system, risks analysis and solutions adopted, manufacturer declaration of conformity of all devices connected, instruction manual of each device and maintenance schedule of the system.

Fix on the gate or door a plaque indicating the automation data, the name of the person responsible for the commissioning, the serial number and year of construction, the CE mark.

Attach a plaque indicating the steps required to manually unlock the system.

Implement and deliver to the end user the declaration of conformity, the instructions and warnings for use for the end user and the maintenance schedule of the system.

Make sure the user understands proper automatic, manual and emergency operation of the automation.

Inform the end user in writing of the dangers and risks still present.

5.3 - Instructions and warnings for the end user

Marantec Antriebs- und Steuerungstechnik GmbH & Co. KG produces systems for the automation of gates, garage doors, automatic doors, shutters, parking lots and road barriers. However, Marantec is not the manufacturer of your automation system, which is rather the result of a process of analysis, evaluation, selection of materials, and installation performed by your own installer. Each automated system is unique and only your installer has the experience and professionalism required to create a system to suit your needs, safe and reliable over time, and carried out in a workmanlike manner, i.e. compliant with the current regulations. Even if your automation system meets the security level required by law, this does not exclude the existence of "residual risks", i.e. the possibility that it may cause dangerous situations, usually as a result of improper or irresponsible use; for this reason we would like to give you some suggestions:

- Before using the automation for the first time, ask the installer to explain the origin of residual risks (Fig.1).
- Keep this manual for future use and deliver it to any new owner of the automation.
- Inappropriate or improper use of the automation can make it dangerous: do not command the movement of the automation if people, animals or things are in its range.
- Children: If properly designed, an automation system ensures a high degree of security, preventing movement in the presence of people or things with its detection systems, and ensuring always predictable and safe activation. It is prudent to prevent children from playing near the automation and keep remote controls out of their reach to prevent accidental activation.
- Malfunctions: As soon as you notice any malfunctions, disconnect the system from the power supply and operate the manual release. Do not attempt any repairs by yourself, but require the assistance of your installer: meanwhile, the system can operate like a non-automated opening device after releasing the motor reducer with the release key supplied with the system.
- In case of failures or power failures: While awaiting the arrival of your installer or the restore of the electricity, if the system is not equipped with backup batteries, the automation can be operated as any normal non-automated opening device. To do this, you must run the manual release (Fig.2).

Release and manual movement: before performing this operation pay attention that the device can be released only when the door is stationary (Fig.2).

- Maintenance: Like any machine, your automation needs periodic maintenance to ensure its long life and total safety. Agree with your installer on a maintenance plan on a periodic basis; Marantec recommends a frequency of 6 months for normal domestic use, but this period may vary depending on the intensity of use. All inspection, maintenance or repairs should be performed only by qualified personnel.

ATTENTION !

Cleaning and user maintenance shall not be made by children without supervision.

- Do not change the system and control or programming parameters of the automation: the responsibility lies with your installer.
- The testing, routine maintenance and any repairs must be documented by the person who performs them, and related documents must be kept by the owner.

The only interventions that are possible for the user and should be carried out periodically are the cleaning of the slides and photocells, as well as the removal of any leaves or rocks that could hinder the automation. To prevent anyone from activating the gate or door, before proceeding, remember to release the automation and clean only with a cloth slightly dampened with water.

- Disposal: At the end of the automation useful life, make sure that the dismantling is carried out by qualified personnel and the materials are recycled or disposed of according to local regulations in force.

- Operate the gate or door (with remote control, key switch, etc.); if everything is working properly, the gate or the door will open and close normally, otherwise the flashing light flashes and the maneuver does not start.

With the safeties out of use, the automation must be repaired as soon as possible.

Replacing the remote control battery: if your remote control seems to work worse or not work at all after a while, this may simply depend on the exhaustion of the battery (depending on use, it may take several months to over a year). In that case, you will see that the confirmation of transmission light does not turn on, or comes on only briefly.

The batteries contain polluting substances: do not throw them in the garbage but use the methods prescribed by local regulations.

Thank you for choosing Marantec; for more information feel free to visit our website www.marantec.com.

ATTENTION !

A more recent version of the manual supplied may be available for download at www.marantec.com; check for updates.

INHALTSVERZEICHNIS

1	Sicherheitshinweise	S. 9
2	Produkteinführung	S. 10
2.1	Produktbeschreibung	S. 10
2.2	Modell und technische Merkmale	S. 10
3	Vorabkontrollen	S. 10
4	Produktinstallation	S. 11
4.1	Installation	S. 11
4.2	Befestigung der Bodenplatte	S. 11
4.3	Entriegeln des Getriebemotors	S. 11
4.4	Befestigung der Platte	S. 11
4.5	Montage der Zahnstange	S. 11
4.6	Befestigung der Anschläge	
5	Ab- und Inbetriebnahme	S. 12
5.1	Abnahme	S. 12
5.2	Inbetriebnahme	S. 12
5.3	Anweisungen und Hinweise für den Endbenutzer	S. 13
6	Abbildungen	S. 45
7	Konformitätserklärung CE	S. 49

1 - SICHERHEITSHINWEISE

ACHTUNG !

ORIGINALANWEISUNGEN – Wichtige Sicherheitsanweisungen. Für die Sicherheit der Personen ist es wichtig, die folgenden Sicherheitsanweisungen zu befolgen. Bewahren Sie diese Anweisungen auf.

Vor Durchführung der Installation lesen Sie die Anleitung bitte aufmerksam durch.

Die Konstruktion und die Herstellung der Geräte, aus denen sich das Produkt zusammensetzt, und die in diesem Handbuch enthaltenen Informationen entsprechen den geltenden Sicherheitsvorschriften. Dennoch können eine falsche Installation und eine falsche Programmierung schwerwiegende Verletzungen bei Personen verursachen, die die Arbeit ausführen, und bei denen, die die Anlage benutzen werden. Aus diesem Grund ist es wichtig, während der Installation strikt alle Anweisungen in diesem Handbuch zu beachten.

Bei Zweifel jeglicher Art die Installation abbrechen und ggf. den Marantec Kundendienst zur Klärung kontaktieren.

Für die europäische Gesetzgebung muss der Einbau einer automatischen Tür oder eines automatischen Tors den Bestimmungen der Richtlinie 2006/42/EG (Maschinenrichtlinie) und im Besonderen den Normen EN 12453, EN 12635 und EN 13241-1 entsprechen, die eine Konformitätserklärung der Automatisierung ermöglichen.

In Anbetracht dessen müssen die endgültige Verbindung der Automatisierung ans Stromnetz, die Endabnahme der Anlage, die Inbetriebnahme und die regelmäßige Wartung von qualifiziertem und erfahrenem Personal entsprechend den Anleitungen unter „Prüfung und Inbetriebnahme der Automatisierung“ durchgeführt werden.

Außerdem muss das Personal auch die vorgesehenen Tests nach den vorhandenen Risiken festlegen und die Einhaltung der Gesetze, Vorschriften und Regeln überprüfen: insbesondere die Einhaltung der Norm EN12453, welche die Prüfverfahren für die Automatisierung von Türen und Toren festlegt.

ACHTUNG !

Vor Installationsbeginn folgende Analysen und Prüfungen durchführen:

Sicherstellen, dass die für die Automatisierung vorgesehenen Vorrichtungen für die zu realisierende Anlage geeignet sind. Diesbezüglich aufmerksam die im Kapitel „Technische Eigenschaften“ aufgeführten Daten prüfen. Die Installation nicht durchführen, wenn auch nur eine der Vorrichtungen nicht für den Gebrauch geeignet ist.

Sicherstellen, dass die erworbenen Vorrichtungen ausreichend sind, um die Sicherheit und Funktion der Anlage zu gewährleisten.

Die Risikoanalyse durchführen, welche auch die Liste der Sicherheitsanforderungen, aufgeführt in Anhang I der Maschinenrichtlinie, beinhalten muss, und die angewandten Lösungen nennen. Die Risikoanalyse ist eine der Unterlagen, aus denen sich die technischen Unterlagen der Automatisierung zusammensetzen. Diese müssen von einem erfahrenen Installateur ausgefüllt werden.

In Anbetracht der Gefahrensituationen, die bei Installation und Benutzung des Produktes auftreten können, muss die Automatisierung unter Berücksichtigung folgender Hinweise installiert werden:

Keine Änderungen an der Automatisierung vornehmen, wenn diese nicht in diesem Handbuch vorgesehen sind. Diese können nur zu Funktionsstörungen führen. Der Hersteller übernimmt keine Haftung für Schäden, die durch eigenmächtige Änderungen am Produkt verursacht wurden.

Ist das Stromkabel beschädigt, muss es vom Hersteller, seinem technischen Kundendienst oder einer ähnlich qualifizierten Person ersetzt werden, um Gefährdungen zu vermeiden; Die einzelnen Komponenten der Automatisierung dürfen nicht in Wasser oder andere Flüssigkeiten getaucht werden. Bei der Installation darauf achten, dass keine Flüssigkeit ins Innere der Vorrichtungen dringt.

Sollten Flüssigkeiten ins Innere der Automatisierungskomponenten

dringen, sofort die Stromzufuhr abschalten und sich an den Marantec Kundendienst wenden. Die Benutzung der Automatisierung in derartigen Situationen kann gefährlich sein.

Die einzelnen Komponenten weder Wärmequellen noch offenen Flammen aussetzen. Dadurch können Schäden, Störungen und Gefahrensituationen entstehen oder ein Brand ausbrechen

ACHTUNG !

Die Einheit ist während der Reinigung, Wartung und Auswechslung von Bestandteilen von der Speisung abzutrennen. Sollte die Abschaltvorrichtung nicht sichtbar sein, ein Schild mit der Aufschrift „IN WARTUNG“ anbringen.

Alle Vorrichtungen müssen mit einer Stromleitung verbunden werden, die sicher geerdet ist.

Dieses Produkt kann nicht als ausreichendes System für den Einbruchschutz angesehen werden. Wenn Sie sich ausreichend schützen wollen, müssen andere Vorrichtungen in die Automatisierung integriert werden.

Wie im Absatz „Prüfung und Inbetriebnahme der Automatisierung“ vorgesehen, darf das Produkt erst nach der „Inbetriebnahme“ der Automatisierung benutzt werden.

Im Stromnetz der Anlage eine Abschaltvorrichtung mit ausreichendem Öffnungsabstand der Kontakte vorsehen, die, wie von der Überspannungskategorie III gefordert, die komplette Abschaltung erlaubt.

Verwenden Sie für die Verbindung von steifen und flexiblen Rohren oder Kabeldurchgängen Anschlüsse mit dem Schutzgrad IP55 oder höher.

Die elektrische Anlage vor der Automatisierung muss den geltenden Bestimmungen entsprechen und fachgerecht ausgeführt sein.

Das Gerät kann von Kindern im Alter von nicht weniger als 8 Jahren und von Personen mit beschränkten körperlichen, sensorischen und geistigen Fähigkeiten oder ohne Erfahrung bzw. ohne das notwendige Bewußtsein verwendet werden, vorausgesetzt, dass sie dabei überwacht werden oder dass sie Anweisungen über den sicheren Gebrauch des Gerätes und das Verständnis der damit verbundenen Gefahren erhalten haben;

Vergewissern Sie sich vor der Inbetriebsetzung der Automatisierung, dass sich keine Personen in unmittelbarer Nähe befinden;

Vor jeder Reinigung und Wartung ist die Automatisierung vom Stromnetz zu trennen;

Besondere Vorsicht ist geboten, um Quetschungen zwischen dem geführten Teil und festen Elementen in der unmittelbaren Nähe zu vermeiden;

Kinder sollten beaufsichtigt werden, um sicherzustellen, dass sie nicht mit dem Gerät spielen.

Das Gerät darf mit einer automatisierten Tür mit eingebauter Fußgängertür nicht verwendet werden.

ACHTUNG !

Die Anlage ist regelmäßig dahingehend zu prüfen, dass keine Unwucht und Zeichen einer mechanischen Abnutzung, sowie beschädigte Kabel, Federn und Stützelemente vorhanden sind. Verwenden Sie nicht, wenn eine Reparatur oder Einstellung erforderlich ist.

ACHTUNG !

Das Verpackungsmaterial aller Automatisierungskomponenten muss entsprechend den örtlichen Bestimmungen entsorgt werden.

Marantec behält sich vor, diese Anweisungen notfalls zu ändern; diese Anweisungen und/oder eine neuere Version befinden sich auf der Website www.marantec.com

2 - PRODUKTEINFÜHRUNG

2.1 - Produktbeschreibung

Die Getriebemotoren COMFORT SU sind für die Installation in Schiebetor-Antriebsanlagen mit einer Stromversorgung von 24 Vdc bestimmt. Die Getriebemotoren COMFORT SU sind dazu konzipiert und gebaut, um im Rahmen der Gewichtsgrenzwerte laut Tabelle der

technischen Angaben auf Schiebetore montiert zu werden. Die Verwendung der Getriebemotoren für andere Anwendungen als den oben angegebenen ist verboten.

2.2 - Modell und technische Merkmale

Artikelnummer	Descripción
SU500F	Getriebemotor 24 Vac mit magnetisch Endanschlägen, max. Torgewicht 500 kg
SU700M	Getriebemotor 24 Vdc mit mechanischen Endanschlägen, max. Torgewicht 700 kg
SU1100M	Getriebemotor 24 Vdc mit mechanischen Endanschlägen, max. Torgewicht 1100 kg

TECHNISCHE DATEN

MODELL		SU500F	SU700M	SU1100M
TECH. MERKMALE				
Geschwindigkeit	cm/s	40	25	20
Drehmoment	Nm	23	26	38
Arbeitszyklus	%	70	80	80
Central Command		CBX10224F	CBX10224	CBX10224
Versorgung	Vac (Vdc)	230(24)	230(24)	230(24)
Leistungsaufnahme	A	1,5	1,5	1,3
Motorleistung	W	345	345	300
Kondensator	µF	-	-	-
Thermoschutz	°C	110	-	-
Einbauleuchte		-	-	-
Schutzgrad	IP	44	44	44
Größe (L - P - H)	mm	330-210-300	330-210-300	330-210-300
Gewicht	Kg	12,5	12,5	13
Betriebstemperatur	°C	-20+55	-20+55	-20+55
Maximale Türgewicht	Kg	500	700	1100
Aussendung Schallpegel	dB(A)	≤ 70	≤ 70	≤ 70

3 - VORABKONTROLLEN

Vor der Installation bitte folgende Punkte prüfen und kontrollieren:

- Kontrollieren ob sich Tor oder Tür für die Automatisierung eignen.
- Gewicht und Größe des Tors oder der Tür müssen innerhalb der maximal zulässigen Einsatzgrenzen liegen
- Kontrolle des Vorhandenseins und der Stärke der mechanischen Sicherheitsanschlüsse des Tors oder der Tür.
- Sicherstellen, dass der Befestigungsbereich nicht überflutet werden kann.
- Überhöhter Säure- oder Salzgehalt oder die Nähe von Wärmequellen können Fehlfunktion des Produktes verursachen.
- bei extremen klimatischen Verhältnissen (wie z.B. Schnee, Eis, hohe Temperaturunterschiede, hohe Temperaturen) könnten sich die Reibungen verstärken, deshalb könnte der Kraftaufwand für die Bewegung und das Anlaufmoment höher sein als im Normalzustand.
- Kontrollieren, dass die manuelle Bewegung des Tors oder der Tür flüssig und ohne Reibungspunkte ist und keine Entgleisungsgefahr besteht.
- Prüfen, dass sich das Tor oder die Tür im Gleichgewicht befindet und folglich in jeder Stellung stillsteht.
- Prüfen, dass die Stromleitung für den Anschluss des Produkts über eine gesicherte Erdung verfügt und mit einem Leitungsschutz- und Differentialschalter geschützt ist.
- Im Stromnetz der Anlage eine Abschaltvorrichtung mit ausreichender Öffnungsweite der Kontakte vorsehen, die, wie von der Überspannungskategorie III gefordert, die komplette Abschaltung erlaubt.
- Sicherstellen, dass das gesamte benutzte Material den geltenden Normen entspricht.

4 - PRODUKTINSTALLATION

4.1 - Installation

ACHTUNG !

Der Installateur muss prüfen, dass der auf dem Antrieb angegebene Temperaturbereich für die Position, an der er installiert werden muss, geeignet ist.

Prüfen Sie vor dem Einbau die Unversehrtheit des Produktes sowie ob alle Bauteile in der Packung vorhanden sind. Außerdem ist zu prüfen, dass das Gewicht des Tors der Angabe in der Tabelle (Abs. 2.2) entspricht und dass die äußeren Abmessungen des Getriebemotors eingehalten werden (Abb.1).

Abb. 2 zeigt ein typisches Installationsbeispiel:

Getriebemotoren (1)
Fotozellen (2)
Säulen für Fotozellen (3)
Blinkleuchte mit integrierter Antenne (4)
Schlüsselwahlschalter oder digitale Tastatur (5)
Druckempfindliche Kante (6)

ACHTUNG !

Der Antrieb muss zum Schutze vor allen möglichen Quetschstellen (für Hände, Füße...) notwendigerweise mit einer Sicherheitsleiste im Sinne der Bestimmungen der Norm EN 13241-1 ausgestattet sein.

4.2 - Befestigung der Bodenplatte

Die äußeren Abmessungen der Bodenplatte und ihre Ausrichtung prüfen, die Bodenplatte mit vier robusten Spreizdübeln am Boden befestigen oder in Beton einlassen (Abb.3). Ein oder mehrere Wellrohre für die Durchführung der Stromkabel vorbereiten.

ACHTUNG !

Es ist notwendig, die Abmessungen der Zahnschiene zu kennen, um die Position der Befestigungsplatte genauestens berechnen zu können.

4.3 - Entriegeln des Getriebemotors

Um den Antrieb zu entsperren, den seitlichen Stopfen öffnen (Abb.4.1) und den Bolzen mit dem Entriegelungsschlüssel oder mit der Sub-Fernbedienung drehen (Abb.4.2). Daraufhin den Hebel drehen (Abb.5).

ACHTUNG !

Bei Antrieben mit eingebauten Nachtlichtern (Night Light System) vorsichtig vorgehen, um das Kabel nicht abz reißen, das die Deckellichter mit dem Steuergerät verbindet. Eventuell den in der Abb.7 gezeigten Verbinder abtrennen.

4.4 - Befestigung der Platte

Den Deckel öffnen und dazu mit einem Schraubenzieher an den seitlichen Aufnahmen ausrücken (Abb.6).

Den Antrieb auf die Platte setzen und die 4 Muttern befestigen (Abb.8a). Falls die von der Zahnschiene erlaubte Regelung unzureichend sein sollte, besteht die Möglichkeit, die Höhe des Antriebs vor dem Festziehen der Muttern durch Einwirken auf die vier Regelstifte auszugleichen (Abb.8b).

Es ist wichtig, nach vollendetem Vorgang die Muttern fest zu spannen und sich zu vergewissern, dass der Antrieb während des gesamten Torlaufweges gut am Boden befestigt ist.

Es wird empfohlen, die Schrauben nach einigen Manövern des Antriebes erneut zu spannen.

Den Deckel wieder so positionieren, dass das Licht in die gewünschte Richtung gerichtet wird (Abb.9), z.B. in die Durchfahrtsrichtung.

4.5 - Montage der Zahnstange

Das Tor gänzlich öffnen.

Ein Zahnstangenelement am Ritzel aufstützen und dieses mit Schrauben und Distanzstücken am Tor befestigen (Abb. 10).

Das Tor von Hand bewegen, bis sich der Ritzel auf der Höhe des letzten Distanzstücks befindet.

Das Zahnstangenelement endgültig arretieren.

Zur Gewährleistung der korrekten Positionierung und Geradlinigkeit der restlichen Elemente muss ein Element nur als Auflage und Bezug eingesetzt werden. Überdies muss zwischen Zahnstange und Ritzel ein Spiel von 2 mm verbleiben, damit das Gewicht des Tores nicht auf dem Ritzel des Torantriebs lastet.

4.6 - Befestigung der Anschläge

ACHTUNG !

Das Tor muss mit Anschlägen zur Begrenzung der Öffnungs- und Schließbewegung ausgestattet sein, um ein Entgleisen zu verhindern.

Die Position des Anschlags ist so zu wählen, dass die Anschlagbügel keinesfalls gegen den Ritzel stoßen. (Abb.11)

Das Tor von Hand in Öffnungsstellung bringen und - je nach seinem Gewicht - einen Freiraum von 30 bis 50 mm zwischen Tor und Anschlag belassen.

Den Anschlagbügel mit Stiften befestigen (Abb.11), so dass der Mikro-Endschalter gedrückt wird.

Diesen Vorgang auch bei geschlossenem Tor ausführen.

Die Anleitungen der Schaltkarte ausführen und abschließend den Deckel wieder schließen und befestigen.

5 – TEST UND INBETRIEBNAHME DER AUTOMATION

Die Endabnahme der Anlage muss von einem qualifiziertem Techniker durchgeführt werden, der alle von der entsprechenden Norm geforderten Proben bzgl. der bestehenden Risiken ausführen

muss, insbesondere entsprechend EN12453, welche die Testmethoden für Automationen von Türen und Tore enthält.

5.1 - Test

Alle Komponenten der Anlage müssen entsprechend der jeweiligen Anweisungen der Handbücher endgeprüft werden.

Kontrollieren, dass die Anweisungen des Kapitels 1 beachtet werden – Anweisungen zur Sicherheit

Kontrollieren, dass sich das Tor oder die Tür nach der Entriegelung frei bewegen können und sich in jeder Stellung im Gleichgewicht befinden und stillstehen.

Die korrekte Funktion aller verbundenen Vorrichtungen (Fotozellen,

Druckleisten, Notschalter und anderes) kontrollieren, indem man mit den Bedienvorrichtungen alle Proben der Öffnung, Schließung und Blockierung des Tors oder der Tür durchführt (Sender, Tasten, Wahlschalter).

Die Messungen der Aufprallstärke nach EN12453 durchführen, dabei Geschwindigkeit, Motorkraft und Verlangsamungen des Steuergeräts einstellen, falls die Messungen nicht die gewünschten Werte zeigen.

5.2 - Inbetriebnahme

Nach positivem Test aller (und nicht nur einiger) Vorrichtungen der Anlage, kann die Inbetriebnahme vorgenommen werden.

Die technischen Unterlagen der Anlage müssen ausgestellt und für 10 Jahre aufbewahrt werden, sie umfassen den Schaltplan, die Zeichnung oder ein Foto der Anlage, die Risikoanalyse und die jeweiligen Lösungen, die Konformitätserklärung des Herstellers, die Gebrauchsanweisungen einer jeden Vorrichtung und den Wartungsplan der Anlage.

Am Tor oder an der Tür ein Schild mit den Daten der Automation, dem Namen des Verantwortlichen der Inbetriebnahme, der Seriennummer, dem Herstellungsjahr sowie dem CE-Zeichen anbringen.

Ein Schild mit den notwendigen Handgriffen zur manuellen Entriegelung der Anlage anbringen.

Die Konformitätserklärung ausfüllen und dem Endbenutzer zusammen mit der Gebrauchsanweisung und dem Wartungsplan der Anlage aushändigen.

Sicherstellen, dass der Benutzer den automatischen und manuellen Betrieb und die Notausschaltung des Antriebs verstanden hat.

Den Endbenutzer auch schriftlich über Gefahren und Risiken informieren.

5.3 - Anweisungen und hinweise für den endbenutzer

Marantec Antriebs- und Steuerungstechnik GmbH & Co. KG stellt Automationssysteme für Tore, Garagentore, automatische Türen, Rollläden, sowie Schranken für Parkplätze oder Straßensperren her. Marantec ist jedoch nicht der Hersteller Ihrer Automation. Sie ist das Ergebnis von Analysen, Auswertung, Materialwahl und Anlagenausführung des Installateurs Ihres Vertrauens. Jede Automation ist einmalig und nur Ihr Installateur besitzt die Erfahrung und notwendigen Kenntnisse zur Ausführung einer auf Ihre Anforderungen zugeschnittenen Anlage, die langfristig sicher und zuverlässig und vor allem sachgerecht arbeitet und den geltenden Bestimmungen entspricht. Auch wenn Ihre Automation die Sicherheitsanforderungen der Bestimmungen erfüllt, schließt dies ein «Restrisiko» nicht aus. Das bedeutet, das Gefahrensituationen entstehen können, die normalerweise auf eine unvorsichtige und sogar falsche Benutzung zurückzuführen sind. Eben aus diesem Grund möchten wir Ihnen einige Ratschläge zur Verhaltensweise mitgeben:

- Vor der ersten Benutzung der Automation lassen Sie sich vom Installateur die Ursache der Restrisiken erklären (Abb.1).
- Heben Sie die Gebrauchsanleitung für spätere Zweifel auf und übergeben Sie diese einem eventuellen neuen Eigentümer der Automation.
- Eine unvorsichtige und unsachgemäße Benutzung der Automation kann sie zu einer Gefahr werden lassen: veranlassen Sie nicht die Bewegung der Automation, wenn sich Personen, Tiere oder Gegenstände in ihrem Aktionskreis befinden.
- Kinder: Wenn eine Automationsanlage sachgerecht geplant wurde, gewährleistet sie auch eine hohe Sicherheitsstufe und verhindert bei Anwesenheit von Personen oder vorhandenen Gegenständen mit ihren Erfassungssystemen die Bewegung, dies garantiert die immer voraussehbare und sichere Einschaltung. Vorsichtshalber sollte man jedoch Kindern das Spielen in der Nähe der Automation verbieten und um ungewollte Einschaltungen zu verhindern, sollten die Fernbedienungen nicht in ihrer Reichweite bleiben.
- Störungen: sobald die Automation ein ungewöhnliches Verhalten aufweist, den Strom von der Anlage nehmen und die Entriegelung von Hand vornehmen. Keinen Reparaturversuch vornehmen, wenden Sie sich an den Installateur Ihres Vertrauens: in der Zwischenzeit kann die Anlage nach der Entriegelung des Getriebemotors mit dem entsprechenden Schlüssel, der zum Lieferumfang gehört, mit nicht automatisierter Öffnung arbeiten.
- Bei Beschädigungen oder Stromausfall: Während Sie auf den Installateur oder die Stromrückkehr warten und die Anlage verfügt über keine Pufferbatterie, kann die Automation wie jede andere nicht automatisierte Öffnung arbeiten. Hierfür muss sie von Hand entriegelt werden (Abb.2).

Entriegelung und manuelle Bewegung: vor diesem Eingriff darauf achten, dass die Entriegelung nur bei stillstehendem Flügel erfolgen kann (Abb.2).

- **Wartung:** Damit sie möglichst lange und vollkommen sicher arbeitet, bedarf Ihre Automation, wie jedes andere Gerät, einer regelmäßigen Wartung. Vereinbaren Sie mit Ihrem Installateur einen Wartungsplan mit regelmäßigen Abständen. Marantec empfiehlt bei einem normalen Hausgebrauch alle 6 Monate einen Eingriff, diese Zeitspanne kann sich je nach Häufigkeit der Benutzung ändern. Jede Überprüfung, Wartung oder Reparatur darf nur durch fachlich qualifiziertes Personal erfolgen.

ACHTUNG !

Die Reinigungs- und Wartungsarbeiten dürfen von Kindern ohne Überwachung nicht durchgeführt werden.

- Die Anlage, die Programmierparameter und die Regulierung der Automation dürfen in keiner Weise verändert werden: die Verantwortung trägt Ihr Installateur.

- Die Endabnahme, die regelmäßigen Wartungen und eventuelle Reparaturen müssen durch den Ausführenden belegt werden, diese Belege müssen vom Besitzer der Anlage aufbewahrt werden.

Die einzigen Eingriffe, die Sie ausführen können und wir empfehlen Ihnen, diese vorzunehmen, ist das Reinigen der Glasscheiben der Fotozellen und das Entfernen von Laub oder Steinen, die eine Behinderung der Automation bilden könnten. Vor diesen Eingriffen die Automation entriegeln, damit niemand das Tor oder die Tür betätigen kann und für die Reinigung nur ein leicht mit Wasser angefeuchtetes Tuch verwenden.

- **Entsorgung:** Wenn die Automation nicht mehr einsatzfähig ist, sorgen Sie dafür, dass sie durch fachlich qualifiziertes Personal abgebaut und das Material entsprechend den örtlich geltenden Bestimmungen wiederverwertet oder entsorgt wird.

- Die Bedienung des Tors oder der Tür (mit Fernbedienung, mit Schlüssel-Wahlschalter, usw.) betätigen; wenn alles in Ordnung ist, öffnet oder schließt sich das Tor oder die Tür ganz normal, andernfalls blinkt das Blinklicht einige Male und die Bewegung wird nicht ausgeführt.

Wenn die Sicherheiten nicht mehr arbeiten, muss die Automation umgehend repariert werden.

Batterieaustausch der Fernbedienung: falls Ihre Funkbedienung nach einiger Zeit nicht mehr gut funktionieren sollte oder überhaupt nicht mehr funktioniert, könnte dies einfach an der leeren Batterie liegen (vom Gebrauch abhängig, sie kann für einige Monate und bis über ein Jahr reichen). Sie merken es an der Tatsache, dass sich die Bestätigungsanzeige der Übertragung nicht oder nur für einen kurzen Moment einschaltet.

Die Batterien enthalten schädliche Substanzen: nicht in den Hausmüll werfen, sondern sie nach den örtlich vorgesehenen Bestimmungen entsorgen.

Wir danken Ihnen, dass Sie Marantec gewählt haben und laden Sie ein, für weitere Informationen unsere Internetseite www.marantec.com zu besuchen.

ACHTUNG !

Auf der Website www.marantec.com könnte das Download einer aktuelleren Version des mitgelieferten Handbuchs verfügbar sein; eine solche Verfügbarkeit ist bitte zu prüfen.

INDICE

1	Avvertenze per la sicurezza	pag. 15
2	Introduzione al prodotto	pag. 16
2.1	Descrizione del prodotto	pag. 16
2.2	Modello e caratteristiche tecniche	pag. 16
3	Verifiche preliminari	pag. 16
4	Installazione del prodotto	pag. 17
4.1	Installazione	pag. 17
4.2	Fissaggio della piastra di fondazione	pag. 17
4.3	Sblocco del motoriduttore	pag. 17
4.4	Fissaggio della piastra	pag. 17
4.5	Fissaggio della cremagliera	pag. 17
4.6	Fissaggio dei fincorsa	pag. 17
5	Collaudo e messa in servizio	pag. 18
5.1	Collaudo	pag. 18
5.2	Messa in servizio	pag. 18
5.3	Istruzioni ed avvertenze per l'utente finale	pag. 19
6	Immagini	pag. 45
7	Dichiarazione CE di conformità	pag. 49

1 - AVVERTENZE PER LA SICUREZZA

ATTENZIONE !

ISTRUZIONI ORIGINALI – importanti istruzioni di sicurezza. Seguire tutte le istruzioni perchè una scorretta installazione può portare a lesioni gravi! Conservare queste istruzioni.

Leggere attentamente le istruzioni prima di eseguire l'installazione.

La progettazione e la fabbricazione dei dispositivi che compongono il prodotto e le informazioni contenute nel presente manuale rispettano le normative vigenti sulla sicurezza. Ciò nonostante un'installazione e una programmazione errata possono causare gravi ferite alle persone che eseguono il lavoro e a quelle che useranno l'impianto. Per questo motivo, durante l'installazione, è importante seguire attentamente tutte le istruzioni riportate in questo manuale.

Non procedere con l'installazione se si hanno dubbi di qualunque natura e richiedere eventuali chiarimenti al Servizio Assistenza Marantec.

Per la legislazione Europea la realizzazione di una porta automatica o un cancello automatico deve rispettare le norme previste dalla Direttiva 2006/42/CE (Direttiva Macchine) e in particolare, le norme EN 12453; EN 12635 e EN 13241-1, che consentono di dichiarare la conformità dell'automazione.

In considerazione di ciò, il collegamento definitivo dell'automatismo alla rete elettrica, il collaudo dell'impianto, la sua messa in servizio e la manutenzione periodica devono essere eseguiti da personale qualificato ed esperto, rispettando le istruzioni riportate nel riquadro "Collaudo e messa in servizio dell'automazione".

Inoltre, egli dovrà farsi carico di stabilire anche le prove previste in funzione dei rischi presenti e dovrà verificare il rispetto di quanto previsto da leggi, normative e regolamenti: in particolare, il rispetto di tutti i requisiti della norma EN12453 che stabilisce i metodi di prova per la verifica degli automatismi per porte e cancelli.

ATTENZIONE !

Prima di iniziare l'installazione, effettuare le seguenti analisi e verifiche:

verificare che i singoli dispositivi destinati all'automazione siano adatti all'impianto da realizzare. Al riguardo, controllare con particolare attenzione i dati riportati nel capitolo "Caratteristiche tecniche". Non effettuare l'installazione se anche uno solo di questi dispositivi non è adatto all'uso;

verificare se i dispositivi acquistati sono sufficienti a garantire la sicurezza dell'impianto e la sua funzionalità;

eseguire l'analisi dei rischi che deve comprendere anche l'elenco dei requisiti essenziali di sicurezza riportati nell'Allegato I della Direttiva Macchine, indicando le soluzioni adottate. L'analisi dei rischi è uno dei documenti che costituiscono il fascicolo tecnico dell'automazione. Questo dev'essere compilato da un installatore professionista.

Considerando le situazioni di rischio che possono verificarsi durante le fasi di installazione e di uso del prodotto è necessario installare l'automazione osservando le seguenti avvertenze:

non eseguire modifiche su nessuna parte dell'automatismo se non quelle previste nel presente manuale. Operazioni di questo tipo possono solo causare malfunzionamenti. Il costruttore declina ogni responsabilità per danni derivanti da prodotti modificati arbitrariamente;

evitare che le parti dei componenti dell'automazione possano venire immerse in acqua o in altre sostanze liquide. Durante l'installazione evitare che i liquidi possano penetrare all'interno dei dispositivi presenti;

se il cavo di alimentazione risulta danneggiato esso deve essere sostituito dal costruttore o dal suo servizio di assistenza tecnica o comunque da una persona con qualifica similare in modo da prevenire ogni rischio;

se sostanze liquide penetrano all'interno delle parti dei componenti dell'automazione, scollegare immediatamente l'alimentazione elet-

trica e rivolgersi al Servizio Assistenza Marantec. L'utilizzo dell'automazione in tali condizioni può causare situazioni di pericolo;

non mettere i vari componenti dell'automazione vicino a fonti di calore né esporli a fiamme libere. Tali azioni possono danneggiarli ed essere causa di malfunzionamenti, incendio o situazioni di pericolo;

ATTENZIONE !

L'unità deve essere scollegata dalla fonte di alimentazione durante la pulizia, la manutenzione e la sostituzione di componenti. Se il dispositivo di sconnessione non è a vista, apporre un cartello con la seguente dicitura: "MANUTENZIONE IN CORSO";

tutti i dispositivi devono essere collegati ad una linea di alimentazione elettrica dotata di messa a terra di sicurezza;

il prodotto non può essere considerato un efficace sistema di protezione contro l'intrusione. Se desiderate proteggervi efficacemente, è necessario integrare l'automazione con altri dispositivi;

il prodotto può essere utilizzato esclusivamente dopo che è stata effettuata la "messa in servizio" dell'automazione, come previsto nel paragrafo "Collaudo e messa in servizio dell'automazione";

prevedere nella rete di alimentazione dell'impianto un dispositivo di disconnessione con una distanza di apertura dei contatti che consenta la disconnessione completa nelle condizioni dettate dalla categoria di sovratensione III;

per la connessione di tubi rigidi e flessibili o passacavi utilizzare raccordi conformi al grado di protezione IP55 o superiore;

l'impianto elettrico a monte dell'automazione deve rispondere alle vigenti normative ed essere eseguito a regola d'arte;

l'apparecchio può essere utilizzato da bambini di età non inferiore a 8 anni e da persone con ridotte capacità fisiche, sensoriali o mentali, o prive di esperienza o della necessaria consapevolezza, purché sotto sorveglianza oppure dopo che le stesse abbiano ricevuto istruzioni relative all'uso sicuro dell'apparecchio e alla comprensione dei pericoli ad esso inerenti;

prima di avviare l'automazione assicurarsi che le persone non siano nelle immediate vicinanze;

prima di procedere a qualsiasi operazione di pulizia e manutenzione dell'automazione eseguire la disconnessione dalla rete elettrica;

fare particolare attenzione per evitare lo schiacciamento tra la parte guidata ed eventuali elementi fissi circostanti; i bambini devono essere sorvegliati per sincerarsi che non giochino con l'apparecchio.

l'apparecchio non può essere utilizzato con una porta guidata che incorpora una porte pedonale.

ATTENZIONE !

Esaminare periodicamente l'impianto per verificare la presenza di sbilanciamenti e segni di usura meccanica, danneggiamento di cavi, molle, parti di sostegno.

Non utilizzare se è necessaria riparazione o regolazione.

ATTENZIONE !

Il materiale dell'imballaggio di tutti i componenti dell'automazione deve essere smaltito nel pieno rispetto della normativa presente a livello locale.

Marantec si riserva il diritto di modificare le presenti istruzioni qualora necessario, queste e/o versione superiore si possono trovare sul sito .

2 - INTRODUZIONE AL PRODOTTO

2.1 - Descrizione del prodotto

I motoriduttori COMFORT SU sono destinati all'installazione in impianti di automazione per cancelli scorrevoli. I motoriduttori COMFORT SU sono progettati e costruiti per il montaggio su can-

celli scorrevoli nei limiti di peso riportati nella tabella delle specifiche tecniche. E' vietato l'utilizzo dei motoriduttori per applicazioni differenti da quelle sopra indicate.

2.2 - Modello e caratteristiche tecniche

Codice	Descrizione
SU500F	Motoriduttore 24 Vac con finecorsa magnetici, peso massimo cancello 500 Kg
SU700M	Motoriduttore 24 Vdc con finecorsa meccanici, peso massimo cancello 700 Kg
SU1100M	Motoriduttore 24 Vdc con finecorsa meccanici, peso massimo cancello 1100 Kg

DATI TECNICI

MODELLO		SU500F	SU700M	SU1100M
SPECIFICHE TECNICHE				
Velocità	cm/s	40	25	20
Coppia	Nm	23	26	38
Ciclo di lavoro	%	70	80	80
Centrale di comando		CBX10224F	CBX10224	CBX10224
Alimentazione	Vac (Vdc)	230(24)	230(24)	230(24)
Assorbimento motore	A	1,5	1,5	1,3
Potenza assorbita	W	345	345	300
Condensatore	µF	-	-	-
Termoprotezione	°C	110	-	-
Luce integrata		-	-	-
Grado di protezione	IP	44	44	44
Dimensioni (L-P-H)	mm	330-210-300	330-210-300	330-210-300
Peso	Kg	12,5	12,5	13
Temp. di esercizio	°C	-20+55	-20+55	-20+55
Peso massimo anta	Kg	500	700	1100
Livello emissione sonora	dB(A)	≤ 70	≤ 70	≤ 70

3 - VERIFICHE PRELIMINARI

Prima di installare il prodotto verificare e controllare i seguenti punti:

- Controllare che il cancello o la porta siano adatti ad essere automatizzati
- Il peso e la dimensione del cancello o della porta devono rientrare nei limiti d'impiego massimi consentiti
- Controllare la presenza e la solidità degli arresti meccanici di sicurezza del cancello o della porta
- Verificare che la zona di fissaggio del prodotto non sia soggetta ad allagamenti
- Condizioni di elevata acidità o salinità o la vicinanza a fonti di calore potrebbero causare malfunzionamenti del prodotto
- In caso di condizioni climatiche estreme (per esempio in presenza di neve, ghiaccio, elevata escursione termica, temperature elevate) gli attriti potrebbero aumentare e quindi la forza necessaria per la movimentazione e lo spunto iniziale potrebbe essere superiori a quella necessaria in condizioni normali.

- Controllare che la movimentazione manuale del cancello o della porta sia fluida e priva di zone di maggiore attrito o vi sia rischio di deragliamento dello stesso

- Controllare che il cancello o la porta siano in equilibrio e rimangano quindi fermi se lasciati in qualsiasi posizione

- Verificare che la linea elettrica a cui sarà collegato il prodotto sia provvista di opportuna messa a terra di sicurezza e protetta da un dispositivo magnetotermico e differenziale

- Prevedere nella rete di alimentazione dell'impianto un dispositivo di disconnessione con una distanza di apertura dei contatti che consenta la disconnessione completa nelle condizioni dettate dalla categoria di sovratensione III.

- Verificare che tutto il materiale utilizzato per l'installazione sia conforme alle normative vigenti

4-INSTALLAZIONE DEL PRODOTTO

4.1 - Installazione

ATTENZIONE !

L'installatore deve verificare che il range di temperature riportato sul dispositivo di automazione sia adatto per la posizione in cui lo si deve installare.

Prima di procedere con l'installazione, verificare l'integrità del prodotto e che tutti i componenti siano presenti nella confezione. Verificare inoltre che il peso del cancello sia come da tabella (paragrafo 2.2) e le dimensioni di ingombro del motoriduttore siano rispettate (Fig.1).

In Fig.2 è rappresentato un esempio di installazione tipica:

Motoriduttore (1)
Fotocellule (2)
Colonnine per fotocellule (3)
Lampeggiante con antenna incorporata (4)
Selettore a chiave o tastiera digitale (5)
Bordo sensibile (6)

ATTENZIONE !

L'automazione deve essere necessariamente dotata di un bordo sensibile a protezione di tutti i punti di possibile schiacciamento (mani, piedi...) nel rispetto dei requisiti previsti dalla norma EN 13241-1.

4.2 - Fissaggio della piastra di fondazione

Verificare le dimensioni d'ingombro della piastra di base e l'orientamento, quindi fissarla a terra mediante 4 robusti tasselli ad espansione oppure annegarla nel calcestruzzo (Fig.3).

Prevedere uno o più tubi corrugati per il passaggio dei cavi elettrici.

ATTENZIONE !

È necessario conoscere le dimensioni della cremagliera per poter calcolare con precisione il posizionamento della piastra di fissaggio.

4.3 - Sblocco del motoriduttore

Per sbloccare il motoriduttore aprire il tappo a lato (Fig.4.1) e girare il perno con la chiave di sblocco o con il telecomando Sub (Fig.4.2). Successivamente ruotare la leva (Fig.5).

ATTENZIONE !

Nei motori con luci notturne integrate (Night Light System) fare attenzione a non strappare il cavo che collega le luci del coperchio alla centrale di comando. Eventualmente scollegare il connettore indicato in figura 7.

4.4 - Fissaggio della piastra

Aprire il coperchio facendo leva con un cacciavite sulle sedi ai lati (Fig.6).

Appoggiare il motoriduttore sulla piastra e fissare i 4 dadi (Fig.8a). Qualora la regolazione consentita dalla cremagliera non fosse sufficiente, è possibile, prima di aver serrato i dadi, compensare l'altezza del motoriduttore agendo sulle quattro grani di regolazione (Fig.8b). A operazione conclusa è importante serrare a fondo i dadi, assicu-

randosi che durante tutta la corsa del cancello il motoriduttore sia ben saldo a terra.

Si consiglia, dopo alcune manovre del motoriduttore, un ulteriore serraggio delle viti.

Riposizionare il coperchio in modo da orientare la luce nella direzione desiderata (Fig.9), per esempio verso il passaggio.

4.5 - Fissaggio della cremagliera

Portare il cancello in completa apertura.

Appoggiare un elemento di cremagliera al pignone e fissare lo stesso con viti e distanziali al cancello (Fig.10).

Spostare manualmente il cancello portando il pignone in corrispondenza dell'ultimo distanziale.

Fissare l'elemento di cremagliera definitivamente.

Per un corretto posizionamento degli altri elementi e garantire la loro rettilineità, è necessario utilizzare un elemento di cremagliera usando come appoggio e riferimento. Bisogna garantire inoltre un'aria fra cremagliera e pignone di 2 mm così da non far gravare il peso del cancello sul pignone del motoriduttore.

4.6 - Fissaggio dei finecorsa

ATTENZIONE !

Il cancello deve essere dotato di fermi di arresto in apertura e in chiusura che impediscano il deragliamenti del cancello stesso.

La posizione del fermo d'arresto deve garantire che le staffe di finecorsa (Fig.11) non entrino in collisione con il pignone.

Portare manualmente il cancello in apertura lasciando, a seconda del peso del cancello, una luce da 30 a 50 mm tra il portone stesso e l'arresto meccanico.

Fissare la staffa del finecorsa mediante i grani (Fig.11) in modo che il micro finecorsa sia premuto.

Ripetere l'operazione con il portone in chiusura.

Seguire le istruzioni della scheda di comando e infine richiudere e fissare il coperchio.

5-COLLAUDO E MESSA IN SERVIZIO DELL'AUTOMAZIONE

Il collaudo dell'impianto va eseguito da un tecnico qualificato che deve effettuare le prove richieste dalla normativa di riferimento in funzione dei rischi presenti, verificando il rispetto di quanto previsto

dalle normative, in particolare la norma EN12453 che indica i metodi di prova per gli automatismi per porte e cancelli.

5.1 - Collaudo

Tutti i componenti dell'impianto devono essere collaudati seguendo le procedure indicate nei rispettivi manuali di istruzioni

Controllare che siano rispettate le indicazioni del Capitolo 1 – Avvertenze per la sicurezza

Controllare che il cancello o la porta si possano muovere liberamente una volta sbloccata l'automazione e che siano in equilibrio e rimangano quindi fermi se lasciati in qualsiasi posizione

Controllare il corretto funzionamento di tutti i dispositivi collegati (fotocellule, bordi sensibili, pulsanti di emergenza, altro) effettuando delle prove di apertura, chiusura e arresto del cancello o della porta tramite i dispositivi di comando collegati (trasmettitori, pulsanti, selettori)

Effettuare le misurazioni della forza d'impatto come previsto dalla normativa EN12453 regolando le funzioni di velocità, forza motore e rallentamenti della centrale nel caso in cui le misurazioni non diano i risultati desiderati fino a trovare il giusto settaggio

5.2 - Messa in servizio

A seguito del positivo collaudo di tutti (e non solo di alcuni) i dispositivi dell'impianto si può procedere con la messa in servizio

E' necessario realizzare e conservare per 10 anni il fascicolo tecnico dell'impianto che dovrà contenere lo schema elettrico, il disegno o foto dell'impianto, l'analisi dei rischi e le soluzioni adottate, la dichiarazione di conformità del fabbricante di tutti i dispositivi collegati, il manuale istruzioni di ogni dispositivo e il piano di manutenzione dell'impianto

Fissare sul cancello o la porta una targa indicante i dati dell'automazione, il nome del responsabile della messa in servizio, il numero di matricola e l'anno di costruzione, il marchio CE

Fissare una targa che indichi le operazioni necessarie per sbloccare manualmente l'impianto

Realizzare e consegnare all'utilizzatore finale la dichiarazione di conformità, le istruzioni e avvertenze d'uso per l'utilizzatore finale e il piano di manutenzione dell'impianto

Accertarsi che l'utilizzatore abbia compreso il corretto funzionamento automatico, manuale e di emergenza dell'automazione.

Informare anche in forma scritta l'utilizzatore finale sui pericoli e rischi ancora presenti

5.3 - Istruzioni ed avvertenze per l'utilizzatore finale

Marantec Antriebs- und Steuerungstechnik GmbH & Co. KG produce sistemi per l'automazione di cancelli, porte garage, porte automatiche, serrande, barriere per parcheggi e stradali. Marantec non è però il produttore della vostra automazione, che è invece il risultato di un'opera di analisi, valutazione, scelta dei materiali, e realizzazione dell'impianto eseguita dal vostro installatore di fiducia. Ogni automazione è unica e solo il vostro installatore possiede l'esperienza e la professionalità necessarie ad eseguire un impianto secondo le vostre esigenze, sicuro ed affidabile nel tempo, e soprattutto a regola d'arte, rispondente cioè alle normative in vigore. Anche se l'automazione in vostro possesso soddisfa il livello di sicurezza richiesto dalle normative, questo non esclude l'esistenza di un "rischio residuo", cioè la possibilità che si possano generare situazioni di pericolo, solitamente dovute ad un utilizzo incosciente o addirittura errato, per questo motivo desideriamo darvi alcuni consigli sui comportamenti da seguire :

- Prima di usare per la prima volta l'automazione, fatevi spiegare dall'installatore l'origine dei rischi residui (Fig.1).
- Conservate il manuale per ogni dubbio futuro e consegnatelo ad un eventuale nuovo proprietario dell'automazione.
- Un uso incosciente ed improprio dell'automazione può farla diventare pericolosa: non comandate il movimento dell'automazione se nel suo raggio di azione si trovano persone, animali o cose.
- Bambini: Se adeguatamente progettato un impianto di automazione garantisce un alto grado di sicurezza, impedendo con i suoi sistemi di rilevazione il movimento in presenza di persone o cose, e garantendo un'attivazione sempre prevedibile e sicura. È comunque prudente vietare ai bambini di giocare in prossimità dell'automazione e per evitare attivazioni involontarie non lasciare i telecomandi alla loro portata.
- Anomalie: Non appena notate qualunque comportamento anomalo da parte dell'automazione, togliete alimentazione elettrica all'impianto ed eseguite lo sblocco manuale. Non tentate da soli alcuna riparazione, ma chiedete l'intervento del vostro installatore di fiducia: nel frattempo l'impianto può funzionare come un'apertura non automatizzata una volta sbloccato il motoriduttore con apposita chiave di sblocco data in dotazione con l'impianto.
- In caso di rotture o assenza di alimentazione attendere l'intervento del vostro installatore, o il ritorno dell'energia elettrica se l'impianto non è dotato di batterie tampone. L'automazione può essere azionata come una qualunque apertura non automatizzata, per fare ciò è necessario eseguire lo sblocco manuale (Fig.2).
- Sblocco e movimento manuale: prima di eseguire questa operazione porre attenzione che lo sblocco può avvenire solo quando l'anta è ferma (Fig.2).
- Manutenzione: Come ogni macchinario la vostra automazione ha bisogno di una manutenzione periodica affinché possa funzionare più a lungo possibile ed in completa sicurezza. Concordate con il vostro installatore un piano di manutenzione con frequenza periodica; Marantec consiglia un intervento ogni 6 mesi per un normale utilizzo domestico, ma questo periodo può variare in funzione dell'intensità d'uso. Qualunque intervento di controllo, manutenzione o riparazione deve essere eseguito solo da personale qualificato.

ATTENZIONE !

Le operazioni di pulizia e manutenzione non devono essere svolte da bambini senza sorveglianza.

- Non modificate l'impianto ed i parametri di programmazione e di regolazione dell'automazione: la responsabilità è del vostro installatore.
- Il collaudo, le manutenzioni periodiche e le eventuali riparazioni devono essere documentate da chi le esegue e i documenti conservati dal proprietario dell'impianto.

Gli unici interventi che vi sono possibili e vi consigliamo di effettuare

periodicamente sono la pulizia dei vetri delle fotocellule e la rimozione di eventuali foglie o sassi che potrebbero ostacolare l'automazione. Per impedire che qualcuno possa azionare il cancello o la porta, prima di procedere, ricordatevi di sbloccare l'automazione e di utilizzare per la pulizia solamente un panno leggermente inumidito con acqua.

- Smaltimento: Al termine della vita dell'automazione, assicuratevi che lo smaltimento sia eseguito da personale qualificato e che i materiali vengano riciclati o smaltiti secondo le norme valide a livello locale.
- Azionare il comando del cancello o della porta (con telecomando, con selettore a chiave, ecc.); se tutto è a posto il cancello o la porta si aprirà o chiuderà normalmente, altrimenti il lampeggiante farà alcuni lampeggi e la manovra non partirà.

Con le sicurezze fuori uso è necessario far riparare quanto prima l'automazione.

Sostituzione pila del telecomando: se il vostro trasmettitore dopo qualche tempo vi sembra funzionare peggio, oppure non funzionare affatto, potrebbe semplicemente dipendere dall'esaurimento della pila (a seconda dell'uso, possono trascorrere da diversi mesi fino ad oltre un anno). Ve ne potete accorgere dal fatto che la spia di conferma della trasmissione non si accende, oppure si accende solo per un breve istante.

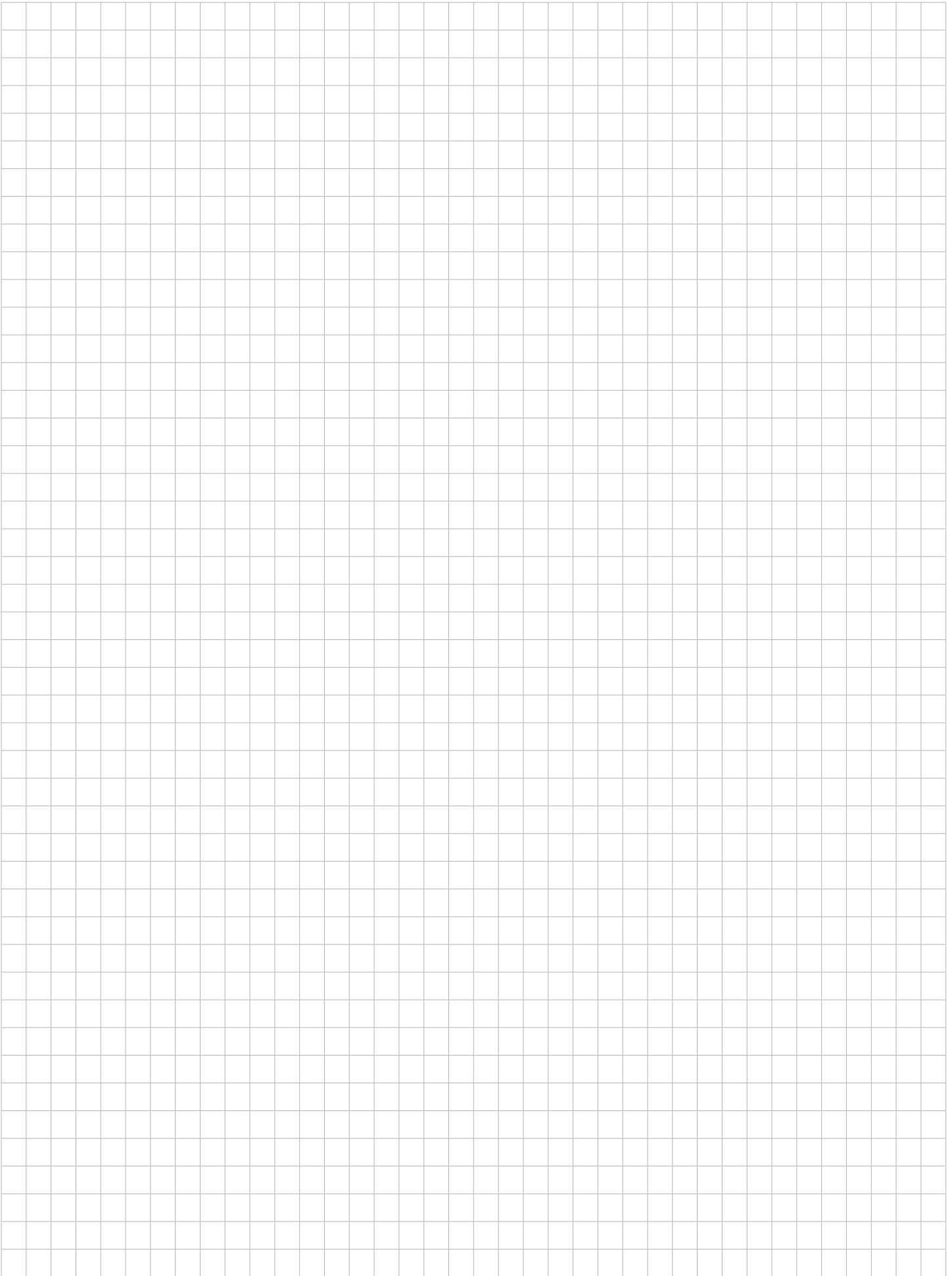
Le pile contengono sostanze inquinanti: non gettarle nei rifiuti comuni ma utilizzare i metodi previsti dai regolamenti locali.

Vi ringraziamo per aver scelto Marantec e vi invitiamo a visitare il nostro sito internet www.marantec.com per ulteriori informazioni.

ATTENZIONE !

Sul sito internet www.marantec.com potrebbe essere scaricabile una versione più aggiornata del manuale in dotazione, verificare eventuali aggiornamenti.

NOTES



SOMMAIRE

1	Avertissements pour la sécurité	page 22
2	Introduction au produit	page 23
2.1	Description du produit	page 23
2.2	Modèle et caractéristiques techniques	page 23
3	Contrôles préliminaires	page 23
4	Installation du produit	page 24
4.1	Installation	page 24
4.2	Fixation de la plaque de fondation	page 24
4.3	Débloccage du motoréducteur	page 24
4.4	Fixation de la plaque	page 24
4.5	Pose de la crémaillère	page 24
4.6	Fixation des dispositifs de fin de course	
5	Essai et mise en service	page 25
5.1	Essai	page 25
5.2	Mise en service	page 25
5.3	Instructions et avertissements destinés à l'utilisation final	page 26
6	Images	page 45
7	Déclaration CE de conformité	page 49

1 - AVERTISSEMENTS POUR LA SÉCURITÉ

⚠ ATTENTION !

INSTRUCTIONS ORIGINALES – importantes consignes de sécurité. Il est important, pour la sécurité des personnes, de respecter les normes de sécurité en vigueur. Néanmoins, une installation et une programmation erronées peuvent causer de graves blessures aux personnes qui exécutent le travail et à celles qui utiliseront l'installation. C'est pourquoi il est important, durant l'installation, de suivre scrupuleusement toutes les instructions fournies dans ce guide.

La conception et la fabrication des dispositifs qui composent le produit et les informations contenues dans ce guide respectent les normes de sécurité en vigueur. Néanmoins, une installation et une programmation erronées peuvent causer de graves blessures aux personnes qui exécutent le travail et à celles qui utiliseront l'installation. C'est pourquoi il est important, durant l'installation, de suivre scrupuleusement toutes les instructions fournies dans ce guide.

Ne pas effectuer l'installation en cas de doute, de quelque nature que ce soit, et, au besoin, demander des éclaircissements au service après-vente de Marantec.

Pour la législation européenne, la réalisation d'une porte ou d'un portail automatique doit respecter les normes prévues par la directive 2006/42/CE (directive Machines) et, en particulier, les normes EN 12445, EN 12453, EN 12635 et EN 13241-1, qui permettent de déclarer la conformité de l'automatisme.

C'est pourquoi le branchement définitif de l'automatisme au réseau électrique, la réception de l'installation, sa mise en service et la maintenance périodique doivent être confiés à du personnel qualifié et spécialisé qui interviendra selon les instructions fournies dans la section « Réception et mise en service de l'automatisme ».

De plus, il devra se charger de procéder aux essais prévus en fonction des risques présents et vérifier le respect de toutes les prescriptions des lois, normes et règlements : en particulier, le respect de toutes les exigences de la norme EN 12445 qui définit les méthodes d'essai pour la vérification des automatismes pour portes et portails.

⚠ ATTENTION !

Avant de commencer l'installation, effectuer les analyses et vérifications suivantes :

vérifier que chacun des dispositifs destinés à l'automatisme est adapté à l'installation à réaliser. À ce sujet, contrôler tout particulièrement les données indiquées dans le chapitre « Caractéristiques techniques ». Ne pas effectuer l'installation si ne serait-ce qu'un seul de ces dispositifs n'est pas adapté à ce type d'utilisation;

vérifier que les dispositifs achetés sont suffisants pour garantir la sécurité de l'installation et son bon fonctionnement;

effectuer l'analyse des risques, qui doit aussi comprendre la liste des exigences essentielles de sécurité contenues dans l'annexe I de la directive Machines, en indiquant les solutions adoptées. L'analyse des risques est l'un des documents qui constituent le dossier technique de l'automatisme. Ce dernier doit être rédigé par un installateur professionnel.

Compte tenu des situations de risque qui peuvent se présenter durant les phases d'installation et d'utilisation du produit, il est nécessaire d'installer l'automatisme en respectant les consignes suivantes :

ne pas apporter de modifications à une quelconque partie de l'automatisme, en dehors de celles qui sont prévues dans ce guide. Ce type d'interventions ne peut que causer des problèmes de fonctionnement. Le constructeur décline toute responsabilité en cas de dommages dérivant de produits modifiés de manière arbitraire ;

il faut faire en sorte que les pièces des composants de l'automatisme ne soient jamais plongées dans l'eau ni dans d'autres substances liquides. Durant l'installation, éviter que des liquides puissent pénétrer à l'intérieur des dispositifs présents;

si le câble d'alimentation est détérioré, il doit être remplacé par le constructeur, par son service après-vente ou, dans tous les cas, par une personne ayant une qualification similaire, de manière à prévenir tout risque éventuel;

si des substances liquides pénètrent à l'intérieur des pièces des composants de l'automatisme, débrancher immédiatement l'alimentation électrique et s'adresser au service après-vente Marantec. L'utilisation de l'automatisme dans ces conditions peut être source de danger;

ne pas mettre les différents composants de l'automatisme à proximité de sources de chaleur et ne pas les exposer à des flammes libres. Ces actions peuvent les endommager et causer des problèmes de fonctionnement, un incendie ou des dangers;

⚠ ATTENTION !

L'unité doit être débranchée de la source d'alimentation durant le nettoyage, la maintenance et le remplacement de composants. Si le dispositif de mise hors tension ne peut pas être surveillé, il faut poser dessus un écriteau indiquant : « MAINTENANCE EN COURS »;

tous les dispositifs doivent être raccordés à une ligne d'alimentation électrique avec mise à la terre de sécurité ;

le produit ne peut pas être considéré comme un système de protection efficace contre l'intrusion. Si vous souhaitez vous protéger efficacement, il faut intégrer d'autres dispositifs à l'automatisme;

le produit ne peut être utilisé qu'après les opérations de « mise en service » de l'automatisme, comme cela est prévu dans le paragraphe « Réception et mise en service de l'automatisme »;

prévoir dans le réseau d'alimentation de l'installation un dispositif de disjonction avec une distance d'ouverture des contacts qui garantisse la disjonction complète dans les conditions prévues par la catégorie de surtension III;

pour le raccordement de tubes rigides et flexibles ou de passe-câbles, utiliser des raccords conformes à l'indice de protection IP55 ou supérieur;

l'installation électrique en amont de l'automatisme doit être conforme aux normes en vigueur et être réalisée dans les règles de l'art;

Les enfants de moins de 8 ans, les personnes souffrant d'un handicap physique, sensoriel ou mental ou les personnes sans expérience ou sans la connaissance nécessaire, ne peuvent utiliser l'appareil que sous surveillance ou après avoir reçu les instructions nécessaires pour utiliser l'appareil en toute sécurité et avoir bien compris les dangers qui peuvent en découler;

si le câble d'alimentation est détérioré, il doit être remplacé par le constructeur, par son service après-vente ou, dans tous les cas, par une personne ayant une qualification similaire, de manière à prévenir tout risque éventuel;

avant d'actionner l'automatisme, s'assurer que personne ne se trouve à proximité;

avant d'effectuer une quelconque opération de nettoyage et de maintenance de l'automatisme, le débrancher du réseau électrique; les enfants doivent être surveillés afin de s'assurer qu'ils ne jouent pas avec l'appareil.

l'appareil ne peut pas être utilisé avec une porte automatisée, avec portillon piéton intégré.

⚠ ATTENTION !

Vérifier périodiquement l'installation pour s'assurer qu'elle ne présente pas de déséquilibres, de signes d'usure mécanique ou de dommages sur les câbles, les ressorts et les éléments de support. Ne pas utiliser si la réparation ou l'ajustement est nécessaire

⚠ ATTENTION !

Les matériaux d'emballage de tous les composants de l'automatisme doivent être éliminés conformément à la norme locale en vigueur.

Marantec se réserve le droit de modifier, si nécessaire, les présentes instructions, dont vous pouvez trouver sur le site www.marantec.com une version mise à jour.

2 - INTRODUCTION AU PRODUIT

2.1 - Description du produit

Les motoréducteurs COMFORT SU sont destinés aux installations d'automatisation de portails coulissants alimentées en 24 Vdc. Les motoréducteurs COMFORT SU sont conçus et construits pour être montés sur des portails coulissants dans les limites de poids indi-

quées dans le tableau des spécifications techniques. Il est interdit d'utiliser les motoréducteurs pour des applications différentes de celles indiquées précédemment.

2.2 - Modèle et caractéristiques techniques

Code	Description
SU500F	Motoréducteur 24 Vac avec fins de course magnétique, poids maximal du portail 500 Kg
SU700M	Motoréducteur 24 Vdc avec fins de course mécaniques, poids maximal du portail 700 Kg
SU1100M	Motoréducteur 24 Vdc avec fins de course mécaniques, poids maximal du portail 1100 Kg

CARACTÉRISTIQUES TECHNIQUES

MODÈLE		SU500F	SU700M	SU1100M
SPÉC. TECHNIQUES				
Vitesse	cm/s	40	25	20
Couple	Nm	23	26	38
Cycle de travail	%	70	80	80
Logique de command		CBX10224F	CBX10224	CBX10224
Alimentation	Vac (Vdc)	230(24)	230(24)	230(24)
Absorption	A	1,5	1,5	1,3
Puissance du moteur	W	345	345	300
Condensateur	µF	-	-	-
Protection thermique	°C	110	-	-
Lumière intégrée		-	-	-
Degré de protection	IP	44	44	44
Dimensions (L-P-H)	mm	330-210-300	330-210-300	330-210-300
Poids	Kg	12,5	12,5	13
Temp. de fonctio.	°C	-20+55	-20+55	-20+55
Poid maximal vantail	Kg	500	700	1100
Niveau sonore	dB(A)	≤ 70	≤ 70	≤ 70

3 - CONTRÔLES PRÉLIMINAIRES

Avant d'installer le produit, vérifier les points suivants:

- Vérifier que le portail ou la porte soient adaptés à une automatisation
- Le poids et la taille du portail ou de la porte doivent rester dans les limites admissibles
- Vérifier la présence et la solidité des arrêts mécaniques de sécurité du portail ou de la porte
- Vérifier que la zone de fixation du produit ne soit pas soumise à inondation
- Des conditions d'acidité ou salinité élevées ou la proximité de sources de chaleur pourraient provoquer des dysfonctionnements sur le produit
- En présence de conditions climatiques extrêmes (par exemple en présence de neige, gel, forte amplitude thermique, température élevée) les frottements pourraient augmenter impliquant une force

nécessaire au mouvement et au démarrage initial supérieure à celle nécessaire en conditions normales.

- Vérifier que le mouvement manuel du portail ou de la porte soit fluide et sans friction notable ou s'il existe un risque de déraillement.

- Vérifier que le portail ou la porte soit en équilibre et restent donc immobile en cas d'arrêts dans n'importe quelle position.

- Vérifier que le circuit électrique auquel le produit sera raccordé soit équipé d'une mise à la terre de sécurité adaptée et protégé par un dispositif magnétothermique et différentielle.

- Sur le réseau d'alimentation, prévoir un dispositif de déconnexion avec une distance d'ouverture des contacts permettant la déconnexion complète dans les conditions indiquées par la catégorie de surtension III.

- Vérifier que l'intégralité de l'équipement utilisé pour l'installation soit conforme aux normes en vigueur.

4 - INSTALLATION DU PRODUIT

4.1 - Installation

ATTENTION !

L'installateur doit vérifier que la plage de températures indiquée sur le dispositif d'automatisation est adaptée au lieu où il doit être installé.

Avant de procéder à l'installation, vérifier l'intégrité du produit et que tous les composants soient présents dans l'emballage. Vérifier également que le poids du portail est conforme aux indications du tableau (paragraphe 2.2) et que les dimensions d'encombrement du motoréducteur sont respectées (Fig.1).

La Fig.2 illustre un exemple d'installation type:

Motoréducteurs (1)
Cellules photoélectriques (2)
Colonnes pour cellules photoélectriques (3)
Voyant clignotant avec antenne incorporée (4)
Interrupteur à clé ou clavier numérique (5)
Bord sensible (6)

ATTENTION !

L'automatisme doit obligatoirement être pourvu d'un bord sensible pour protéger tous les points à risque d'écrasement (mains, pieds, etc.) conformément aux exigences de la norme EN 13241-1.

4.2 - Fixation de la plaque de fondation

Vérifier les dimensions d'encombrement de la plaque de base et son orientation, pour l'ancrage au sol de la plaque de base au moyen de 4 chevilles expansibles ou la noyer dans une coulée de béton (Fig.3).
Prévoir une ou plusieurs gaines annelées pour le passage des câbles électriques.

ATTENTION !

Il est nécessaire de connaître les dimensions de la crémaillère pour pouvoir calculer avec précision le positionnement de la plaque de fixation.

4.3 - Déblocage du motoréducteur

Pour débrayer le motoréducteur, ouvrir le bouchon ci-contre (fig. 4.1) et tourner la goupille avec la clé de débrayage ou avec la télécommande Sub (fig. 4.2). Ensuite, tourner le levier (fig. 5).

ATTENTION !

Dans les moteurs avec éclairage nocturne intégré (Night Light System), veiller à ne pas arracher le câble qui relie l'éclairage du couvercle à la logique de commande. Débrancher éventuellement le connecteur indiqué sur la figure 7.

4.4 - Fixation de la plaque

Ouvrir le couvercle en faisant levier avec un tournevis sur les logements sur les côtés (fig. 6).
Poser le motoréducteur sur la plaque et fixer les 4 écrous (fig. 8a). Si la réglage permis par la crémaillère n'est pas suffisant, il est possible, avant d'avoir serré les écrous, de compenser la hauteur du motoréducteur en agissant sur les quatre goujons de réglage (fig. 8b).
Quand l'opération est terminée, il est important de serrer les écrous

à fond et de s'assurer que, durant toute la course du portail, le motoréducteur est bien fixé au sol.
Il est conseillé, au bout de quelques manœuvres du motoréducteur, de resserrer les vis.
Repositionner le couvercle de manière à orienter la lumière dans la direction voulue (fig. 9), par exemple vers le passage.

4.5 - Pose de la crémaillère

Ouvrir complètement le portail.
Engrener un élément de crémaillère avec le pignon, et fixer celui-ci avec des vis et des entretoises au portail (Fig.10).
Déplacer manuellement le portail jusqu'à positionner le pignon au niveau de la dernière entretoise.
Fixer de manière définitive l'élément de crémaillère.

Pour un positionnement correct des autres éléments de crémaillères et garantir leur parfait alignement, il est nécessaire d'utiliser un élément de crémaillère comme appui et repère. En outre, il faut assurer une lumière entre la crémaillère et le pignon pour ne pas faire supporter le poids du portail par le pignon du motoréducteur.

4.6 - Fixation des dispositifs de fin de course

ATTENTION !

Le portail doit être équipés de 2 butées (en ouverture et en fermeture) qui empêchent le déraillement du portail.

La position de la butée doit garantir que les équerres-support du fin de course ne viennent pas heurter le pignon. (Fig.11)
Ouvrir manuellement le portail et laisser, en fonction du poids

du portail, un espace de 30 à 50 mm entre le portail et la butée mécanique.
Fixer l'équerre-support du fin de course au moyen des goujons (Fig.11) de manière que le micro de fin de course soit pressé.
Répéter l'opération avec le portail en fermeture.

Suivre les instructions de la carte de commande et enfin refermer et fixer le couvercle.

5 - ESSAI ET MISE EN SERVICE DE L'AUTOMATION

L'essai du système doit être effectué par un technicien qualifié. Celui-ci procédera aux essais requis par la norme relative en fonction des risques présents, et vérifiera l'adéquation aux pre-

scriptions normatives, en particulier celles de la norme EN12453 indiquant les méthodes d'essai pour les automatismes relatifs aux portes et portails.

5.1 - Essai

Tous les composants de l'installation doivent être testés en suivant les procédures indiquées dans les manuels d'instructions respectifs.

Vérifier que les indications fournies au Chapitre 1 – Avertissements pour la sécurité aient été respectées.

Vérifier que le portail ou la porte puissent bouger librement une fois l'automation débloquée, qu'ils soient en équilibre et qu'ils restent donc immobiles lorsqu'ils sont laissés dans n'importe quelle position.

Vérifier que tous les dispositifs reliés fonctionnent correctement (cellules photo-électriques, bords sensibles, boutons d'urgence, autres) en effectuant des essais d'ouverture, de fermeture et d'arrêt du portail ou de la porte à l'aide des dispositifs de commande reliés (transmetteurs, touches, sélecteurs).

Procéder à la mesure de la force d'impact conformément à la norme EN12453 en réglant les fonctions de vitesse, force moteur et ralentissement de la centrale si les mesures ne sont pas satisfaisantes, jusqu'à obtention du réglage adapté.

5.2 - Mise en service

Une fois l'essai de tous les dispositifs du système réussi (et non de seulement quelques-uns), il est possible de procéder à la mise en service.

Il est nécessaire de réaliser et de conserver pendant 10 ans le fascicule technique de l'installation, lequel devra contenir le schéma électrique, le dessin ou photo de l'installation, l'analyse des risques et les solutions adoptées, la déclaration de conformité du fabricant de tous les dispositifs reliés, le manuel d'instructions de tous les dispositifs et le programme d'entretien du système.

Apposer la plaque d'identification de l'automation sur laquelle figurent le nom du responsable de la mise en service, le numéro de matricule et l'année de construction ainsi que la marque CE directe-

ment sur le portail ou sur la porte.

Fixer une plaque indiquant les opérations nécessaires pour procéder au déblocage manuel du système.

Réaliser et remettre à l'utilisateur final la déclaration de conformité, les instructions et les avertissements destinés à l'utilisateur final ainsi que le programme d'entretien de l'installation.

Vérifier que l'utilisateur ait bien compris le fonctionnement automatique, manuel et de secours de l'automatisme.

Informé, également par écrit, l'utilisateur final des dangers et des risques résiduels.

5.3 - Instructions et avertissements destinés à l'utilisation final

Marantec Antriebs- und Steuerungstechnik GmbH & Co. KG produit des systèmes pour l'automatisation de portails, portes de garage, portes automatiques, volets, barrières pour parkings et sur route. Marantec n'est cependant pas le concepteur de votre automatisation, étant en revanche le résultat d'un travail d'analyse, d'évaluation, de choix de matériaux et de réalisation du système effectué par votre installateur de confiance. Chaque automatisation est unique et seul votre installateur possède l'expérience et le professionnalisme nécessaires pour exécuter une installation conforme à vos exigences, sûre et fiable dans le temps, et surtout réalisée dans les règles de l'art, c'est-à-dire en conformité avec les normes en vigueur. Même si l'automatisation en votre possession dispose du niveau de sécurité adapté requis par les normes, ceci n'exclut pas l'existence d'un « risque résiduel », soit la possibilité de génération de situations de danger, le plus souvent dues à un usage inconscient ou erroné. Ainsi, nous souhaitons fournir quelques conseils sur les comportements à adopter :

- Avant d'utiliser l'automatisation pour la première fois, demander à l'installateur d'expliquer l'origine des risques résiduels (Fig.1).
- Conserver le manuel en cas de doute ultérieur et le consigner à l'éventuel nouveau propriétaire de l'automatisation.
- Un usage inconscient et impropre peut rendre l'automatisation dangereuse : ne pas commander le mouvement de l'automatisation si toute personne, animal ou objet se trouvent dans son champ d'action.
- Enfants : S'il est conçu de façon adaptée, un système d'automatisation garantit un degré de sécurité élevé, empêchant, grâce à ses dispositifs de détection, tout mouvement en présence de personnes ou d'objets. Ceci permet de garantir une activation toujours prévisible et sécurisée. Il est dans tous les cas recommandé, par prudence, d'interdire aux enfants de jouer à proximité du système et de ne pas laisser les télécommandes à leur portée afin d'éviter toute activation involontaire.
- Anomalies : En cas de constat d'un comportement anormal de l'automatisation, couper l'alimentation électrique et procéder au déblocage manuel. Ne procéder à aucune réparation et demander l'intervention de votre installateur de confiance : pendant ce temps, le système peut fonctionner avec une ouverture non automatisée après avoir débloqué le motoréducteur à l'aide de la clé de déblocage fournie en dotation.
- En cas de rupture ou d'absence d'alimentation: Dans l'attente de l'intervention de l'installateur ou du rétablissement de l'énergie électrique si le système ne dispose pas d'une batterie tampon, l'automatisation pourra être actionnée comme n'importe quel système d'ouverture non automatisé. Pour cela, il est nécessaire de procéder au déblocage manuel (Fig.2).

Déblocage et mouvement manuel: avant d'effectuer cette opération, s'assurer que le déblocage n'ait lieu que lorsque le battant est arrêté (Fig.2).

- Entretien : Comme toute machine, l'automatisation a besoin d'un entretien périodique permettant une majeure durée de fonctionnement en toute sécurité. Définir un programme d'entretien à fréquence périodique avec l'installateur. Marantec recommande une intervention tous les 6 mois pour un usage domestique normal, cependant cette fréquence peut varier en fonction de l'intensité d'usage. Toute intervention de contrôle, entretien et réparation doit être effectuée exclusivement par un personnel qualifié.

ATTENTION !

Les opérations de nettoyage et de maintenance ne doivent être effectuées par des enfants sans surveillance.

- Ne pas modifier le système et les paramètres de programmation et de réglage de l'automatisation : la responsabilité relève de l'installateur.
- L'essai, les entretiens périodiques et les éventuelles réparations doivent être documentés par la personne en charge de leur exécution

tion et les documents doivent être conservés par le propriétaire de l'installation.

Les seules interventions tolérées pour l'utilisateur et que nous recommandons d'exécuter périodiquement consistent à nettoyer les verres des cellules photo-électriques et à retirer les éventuelles feuilles ou cailloux susceptibles de faire obstacle à l'automatisation. Pour éviter que quiconque ne puisse actionner le portail ou la porte, avant de procéder, ne pas oublier de bloquer le portail ou la porte et utiliser uniquement un chiffon légèrement humidifié à l'eau.

- Élimination : En fin de vie de l'automatisation, s'assurer que le démantèlement soit effectué par un personnel qualifié et que les équipements soient recyclés ou éliminés conformément aux normes locales en vigueur.

- Actionner la commande du portail ou de la porte (avec télécommande, sélecteur à clé, etc.). Si tout fonctionne correctement, le portail ou la porte s'ouvrira ou se fermeront normalement, sinon la lampe clignotante clignotera brièvement et la manœuvre ne sera pas effectuée.

Lorsque les dispositifs de sécurité sont hors service, il est nécessaire de procéder à la réparation de l'automatisation dans les plus brefs délais.

Remplacement de la pile de la télécommande : si votre radiocommande semble fonctionner moins bien avec le temps, ou si elle ne fonctionne plus, il pourrait simplement s'agir de l'épuisement de la pile (en fonction de l'usage, la pile peut fonctionner de quelques mois à plus d'un an). Il est possible de se rendre compte par le biais du voyant de confirmation de la transmission, lequel ne s'allumera pas ou seulement pendant un bref instant.

Les piles contiennent des substances polluantes : ne pas les jeter parmi les déchets communs, s'en remettre aux méthodes prévues par les règlements locaux.

Nous vous remercions d'avoir choisi Marantec et vous invitons à visiter notre site internet www.marantec.com pour de plus amples informations.

ATTENTION !

Sur le site Internet www.marantec.com, une version plus récente de la notice d'utilisation fournie pourrait être disponible au téléchargement : vérifier les éventuelles mises à jour.

ÍNDICE

1	Advertencias de seguridad	pág. 28
2	Introducción al producto	pág. 29
2.1	Descripción del producto	pág. 29
2.2	Modelo y características técnicas	pág. 29
3	Comprobaciones preliminares	pág. 29
4	Instalación del producto	pág. 30
4.1	Instalación	pág. 30
4.2	Fijación de la placa de cimentación	pág. 30
4.3	Desbloqueo del motorreductor	pág. 30
4.4	Fijación de la placa	pág. 30
4.5	Fijación de la cremallera	pág. 30
4.6	Fissaggio dei fincorsa	
5	Ensayo y puesta en servicio	pág. 31
5.1	Ensayo	pág. 31
5.2	Puesta en servicio	pág. 31
5.3	Instrucciones y advertencias destinadas al usuario final	pág. 32
6	Imágenes	pág. 45
7	Declaración CE de conformidad	pág. 49

1 - ADVERTENCIAS DE SEGURIDAD

ATENCIÓN !

INSTRUCCIONES ORIGINALES – instrucciones importantes de seguridad. Para la seguridad de las personas es importante respetar las siguientes instrucciones de seguridad. Guarde estas instrucciones.

Lea detenidamente las instrucciones antes de realizar la instalación.

El diseño y la fabricación de los dispositivos que componen el producto y las informaciones contenidas en este manual respetan las normativas vigentes sobre la seguridad. No obstante esto, una instalación y una programación incorrectas pueden provocar graves lesiones a las personas que realizan el trabajo y a aquellas que utilizarán el sistema. Por dicho motivo, durante la instalación es importante respetar escrupulosamente todas las instrucciones mencionadas en este manual.

No proceda con la instalación si tuviera alguna duda y, si fuera necesario, solicite aclaraciones al Servicio de Asistencia Marantec.

Para la legislación Europea la realización de una puerta automática debe respetar las Normas previstas por la Directiva 2006/42/CE (Directiva de Máquinas) y, en particular, las Normas EN 12453, EN 12635 y EN 13241-1, que permiten declarar la conformidad del automatismo.

En virtud de esto, la conexión definitiva del automatismo a la red eléctrica, el ensayo del sistema, su puesta en servicio y el mantenimiento periódico deben ser realizados por personal calificado y experto, respetando las instrucciones indicadas en el apartado "Ensayo y puesta en servicio del automatismo".

Además, el personal deberá establecer los ensayos previstos en función de los riesgos presentes y deberá comprobar la conformidad con las leyes, normativas y reglamentos: en particular, el respeto de todos los requerimientos de la Norma EN12453 que establece los métodos de ensayo para las puertas motorizadas.

ATENCIÓN !

Antes de comenzar con la instalación, realice los siguientes análisis y controles:

compruebe que los dispositivos destinados al automatismo sean adecuados para el sistema que se debe realizar. Para tal fin, controle detenidamente los datos indicados en el capítulo "Características técnicas". No realice la instalación incluso si uno de dichos dispositivos no es adecuado para el uso;

compruebe que los dispositivos comprados sean suficientes para garantizar la seguridad del sistema y su funcionamiento;

realice el análisis de los riesgos que debe incluir la lista de los requerimientos esenciales de seguridad indicados en el Anexo I de la Directiva de Máquinas, indicando las soluciones tomadas. El análisis de los riesgos es uno de los documentos que constituyen el expediente técnico del automatismo. El mismo deberá ser cumplimentado por un instalador profesional.

Teniendo en cuenta las situaciones peligrosas que pueden generarse durante las etapas de instalación y uso del producto, es necesario instalar el automatismo respetando las siguientes advertencias:

no modifique ninguna pieza del automatismo, salvo aquellas previstas en este manual. Las operaciones de este tipo pueden provocar solo fallos en el funcionamiento. El fabricante no se asume ninguna responsabilidad por los daños provocados por los productos modificados arbitrariamente;

procure que las piezas de los componentes del automatismo no queden sumergidas en agua o en otras sustancias líquidas. Durante la instalación, evite que los líquidos puedan penetrar en el interior de los dispositivos;

si el cable de alimentación estuviera dañado, deberá ser sustituido por el fabricante o por su servicio de asistencia técnica, o bien por una persona cualificada con el fin de prevenir cualquier tipo de riesgo;

si sustancias líquidas penetraran en el interior de las piezas de los componentes del automatismo, desconecte inmediatamente la alimentación eléctrica y contacte con el Servicio de Asistencia Marantec. Utilizar el automatismo en dichas condiciones podría causar situaciones peligrosas.

No coloque los componentes del automatismo cerca de fuentes de calor ni los exponga al fuego. Esto podría averiarlos y provocar fallos de funcionamiento, incendios o situaciones peligrosas;

ATENCIÓN !

La unidad no debe estar conectada a la fuente de alimentación durante la limpieza, mantenimiento y sustitución de componentes. Si el dispositivo de desconexión no estuviera a la vista, cuelgue un cartel que indique: "MANTENIMIENTO EN CURSO";

todos los dispositivos deben estar conectados a una línea de alimentación eléctrica con puesta a tierra de seguridad incorporada;

el producto no puede ser considerado un sistema de protección eficaz contra las intrusiones. Si usted deseara una protección eficaz, es necesario integrar el automatismo con otros dispositivos;

el producto se puede utilizar exclusivamente después de haber realizado la "puesta en servicio" del automatismo, tal como previsto en el apartado "Ensayo y puesta en servicio del automatismo";

instale en la red de alimentación del sistema un dispositivo de desconexión con una distancia de apertura de los contactos que permita la desconexión completa en las condiciones establecidas por la categoría de sobretensión III;

para la conexión de tubos rígidos o flexibles o prensaestopas, utilice racores de conformidad con el grado de protección IP55 o superior;

el sistema eléctrico que alimenta el automatismo debe responder a las normativas vigentes y debe estar realizado correctamente;

el dispositivo puede ser utilizado por niños mayores de 8 años de edad, y por personas con capacidades físicas, sensoriales o mentales reducidas, o sin experiencia ni conocimientos necesarios, siempre y cuando estén supervisados, o una vez que hayan sido instruidos sobre el uso seguro del dispositivo y hayan comprendido los peligros que entraña;

antes de poner en marcha el automatismo, asegúrese de que no haya ninguna persona en las cercanías;

antes de limpiar o mantener el automatismo, desconecte la corriente eléctrica;

tenga mucho cuidado para evitar el aplastamiento entre la parte guiada y los elementos fijos de alrededor; controle que los niños no jueguen con el dispositivo.

el dispositivo no puede ser utilizado con una puerta automatizada que incorpora una puerta peatonal.

ATENCIÓN !

Examinar periódicamente la instalación para comprobar desequilibrios y signos de desgaste mecánico, daños a los cables, muelles, piezas de sostén.

No utilizar si es necesario reparar o ajuste.

ATENCIÓN !

Elimine el material de embalaje de todos los componentes del automatismo respetando la normativa vigente del país de instalación.

Marantec se reserva la facultad de modificar estas instrucciones de ser necesario, esta versión o aquella superior se pueden encontrar en la web www.marantec.com

2 - INTRODUCCIÓN AL PRODUCTO

2.1 - Descripción del producto

Los motorreductores COMFORT SU están destinados a la instalación en sistemas de automatización para puertas correderas con alimentación a 24 Vdc. Los motorreductores COMFORT SU han sido diseñados y fabricados para el montaje en puertas correderas dentro

de los límites de peso indicados en la tabla de las características técnicas.

Está prohibido el uso de motorreductores para aplicaciones diferentes de las indicadas arriba.

2.2 - Modelos y características técnicas

Código	Descripción
SU500F	Motorreductor 24 Vac con topes magnético, peso máximo de la puerta 500 Kg
SU700M	Motorreductor 24 Vdc con topes mecánicos, peso máximo de la puerta 700 kg
SU1100M	Motorreductor 24 Vdc con topes mecánicos, peso máximo de la puerta 1100 kg

DATOS TÉCNICOS

MODELO		SU500F	SU700M	SU1100M
ESPECIF. TÉCNICAS				
Velocidad	cm/s	40	25	20
Par	Nm	23	26	38
Ciclo de trabajo	%	70	80	80
Central de mando		CBX10224F	CBX10224	CBX10224
Alimentación	Vac (Vdc)	230(24)	230(24)	230(24)
Absorción	A	1,5	1,5	1,3
Potencia motor	W	345	345	300
Condensador	µF	-	-	-
Termoprotección	°C	110	-	-
Luz integrada		-	-	-
Grado de protección	IP	44	44	44
Dimensiones (L-P-H)	mm	330-210-300	330-210-300	330-210-300
Peso	Kg	12,5	12,5	13
Temp. de funcionam.	°C	-20+55	-20+55	-20+55
Peso máximo hoja	Kg	500	700	1100
Nivel emisión sonora	dB(A)	≤ 70	≤ 70	≤ 70

3 - COMPROBACIONES PRELIMINARES

Antes de instalar el producto compruebe y controle los siguientes puntos:

- Compruebe que la cancela o la puerta sean aptos para la automatización.
- El peso y la dimensión de la cancela o de la puerta deben estar dentro de los límites máximos de uso permitidos
- Compruebe la presencia y la solidez de las paradas mecánicas de seguridad de la cancela o de la puerta.
- Compruebe que la zona de fijación del producto no se inunde
- Condiciones de acidez o salinidad elevadas o que haya fuentes de calor cercanas que pudieran causar mal funcionamientos del producto.
- En caso de condiciones climáticas extremas (por ejemplo en presencia de nieve, hielo, excursión térmica o temperaturas elevadas) podrían aumentar las fricciones y, por tanto, la fuerza necesaria

para el movimiento y el arranque inicial podrían ser superiores a los necesarios en condiciones normales.

- Compruebe que el movimiento manual de la cancela o de la puerta sea fluido y que no haya zonas de mayor fricción o riesgo de descarrilamiento.

Compruebe que la cancela o la puerta estén en equilibrio y permanezcan detenidas sea cual sea la posición en la que se las deje.

- Compruebe que la línea eléctrica a la se conectará el producto cuente con puesta a tierra de seguridad y esté protegida por un dispositivo magnetotérmico y diferencial.

– Hay que prever en la red de alimentación de la instalación un dispositivo de desconexión con una distancia de apertura de los contactos que permita la desconexión completa en las condiciones que dicta la categoría de sobretensión III.

- Compruebe que todo el material utilizado por la instalación esté conforme a las normativas vigentes.

4- INSTALACIÓN DEL PRODUCTO

4.1 - Instalación

ATENCIÓN !

El instalador debe comprobar que el rango de temperatura indicado en el dispositivo de automatización sea apto para la posición en la que se debe instalar.

Antes de llevar a cabo la instalación, compruebe la integridad del producto y que todos los componentes estén en la caja.

También hay que comprobar el peso de la puerta corresponda con el de la tabla (apartado 2.2) y que se respeten las medidas exteriores del motorreductor (Fig.1).

En Fig.2 aparece una representación de un ejemplo de instalación típica:

Motorreductores (1)
Fotocélulas (2)
Columnas para fotocélulas (3)
Luz intermitente con antena incorporada (4)
Selectore de llave o teclado digital (5)
Borde sensible (6)

ATENCIÓN !

La puerta automatizada debe incorporar obligatoriamente una banda sensible de protección de todos los puntos posibles de aplastamiento (manos, pies...) respetando los requisitos previstos por la norma EN 13241-1.

4.2 - Fijación de la placa de cimentación

Compruebe las medidas exteriores de la placa de cimentación y la orientación, fijar en el piso la placa de base por medio de 4 sólidos tornillos de expansión o embeberla en el hormigón (Fig.3).

Instale uno o varios tubos corrugados para el tendido de los cables eléctricos.

ATENCIÓN !

Es necesario conocer las medidas de la cremallera para poder calcular con precisión la posición de la placa de fijación.

4.3 - Desbloqueo del motorreductor

Para desbloquear el motorreductor, abra el tapón del costado (Fig. 4.1) y gire el perno con la llave de desbloqueo o con el telemando Sub (Fig. 4.2). Posteriormente, gire la palanca (Fig. 5).

ATENCIÓN !

En los motores con luces nocturnas integradas (Night Light System) procure no arrancar el cable que conecta las luces de la tapa a la central de mando. Si fuera necesario, desconecte el conector que se muestra en la figura 7.

4.4 - Fijación de la placa

Quite la tapa haciendo palanca con un destornillador en los alojamientos de los costados (Fig. 6).

Apoye el motorreductor sobre la placa y apriete las 4 tuercas (Fig. 8a). Si la regulación admitida de la cremallera no fuera suficiente, antes de apretar las tuercas es posible compensar la altura del motorreductor mediante los cuatro pasadores de regulación (Fig. 8b).

Al concluir la operación es importante apretar hasta el fondo las

tuercas, asegurándose de que durante la carrera de la puerta el motorreductor quede bien fijado al suelo.

Después de que el motor haya realizado algunos movimientos, se aconseja apretar de nuevo los tornillos.

Vuelva a colocar la tapa orientando la luz hacia la dirección deseada (Fig. 9), por ejemplo hacia el paso.

4.5 - Fijación de la cremallera

Llevar la reja en apertura total.

Apoyar un elemento de la cremallera en el piñón y fijar el mismo con tornillos y distanciadores en la reja (Fig.10).

Desplazar manualmente la reja llevando el piñón en correspondencia del último distanciador.

Fijar el elemento de la cremallera definitivamente.

Para un posicionamiento correcto de los otros elementos y garantizar su rectilineidad, es necesario utilizar un elemento de la cremallera utilizándolo como apoyo y punto de referencia. Además es necesario garantizar un espacio de aire entre la cremallera y el piñón de 2 mm para que el peso de la reja no cargue sobre el piñón del motorreductor.

4.6 - Fissaggio dei fincorsa

ATENCIÓN !

La reja debe estar equipada con topes en la apertura y en el cierre que impidan el descarrilamiento de la misma reja.

La posición de los topes debe garantizar que los soportes de fin de carrera no se choquen con el piñón. (Fig.11)

Llevar manualmente la reja en apertura dejando, según el peso de la reja, una abertura de 30 a 50 mm entre la misma reja y el tope mecánico.

Fijar el soporte del fin de carrera mediante los tornillos (Fig.11) sin cabeza para que el fin de carrera se presione .

Repetir la operación con la reja en fase de cierre.

Siga las instrucciones de la tarjeta de mando y, por último, cierre y fije la tapa.

5 - ENSAYO Y PUESTA EN SERVICIO DE LA AUTOMATIZACIÓN

El ensayo de la instalación debe realizarlo un técnico calificado el cual deberá llevar a cabo las pruebas requeridas por la normativa de referencia en función de los riesgos presentes, comprobando

el respeto de cuanto prevén las normativas, especialmente la EN12453, que indica los métodos de prueba para las automatizaciones de puertas y cancelas.

5.1 - Ensayo

Hay que someter a ensayo a todos los componentes de la instalación, siguiendo el procedimiento que se indica en los correspondientes manuales de instrucciones.

Compruebe que se respetan las indicaciones del Capítulo 1 – Advertencias para la seguridad.

Compruebe que la cancela o la puerta se puedan mover libremente al desbloquear la automatización y que estén en equilibrio y permanezcan detenidas sea cual sea la posición en la que se las deje.

Compruebe el correcto funcionamiento de todos los dispositivos conectados (fotocélulas, bordes sensibles, botones de emergencia,

otros) efectuando las pruebas de apertura, cierre y detención de la cancela o de la puerta mediante los dispositivos de control conectados (transmisores, botones, selectores).

Efectúe las mediciones de la fuerza de impacto tal y como prevé la normativa EN12453; en el caso de no obtener con las mediciones los resultados deseados regule las funciones de velocidad, fuerza motora o deceleraciones de la central hasta encontrar la configuración adecuada.

5.2 - Puesta en servicio

Tras haber probado todos (y no algunos) los dispositivos de la instalación se puede proceder a su puesta en servicio.

Será necesario realizar y conservar durante 10 años el fascículo técnico de la instalación que deberá contener el esquema eléctrico, el dibujo o foto de la instalación, el análisis de los riesgos y las soluciones adoptadas, la declaración de conformidad del fabricante de todos los dispositivos conectados, el manual de instrucciones de cada dispositivo y el plan de mantenimiento de la instalación.

Fije en la cancela o la puerta una placa con los datos de la automatización, el nombre del responsable de la puesta en servicio, el número de matrícula y el año de construcción, la marca CE.

Fije una placa que indique las operaciones necesarias para desblo-

quear la instalación manualmente.

Realice y entregue al usuario final la declaración de conformidad, las instrucciones y advertencias de uso para el usuario final y el plano de mantenimiento de la instalación.

Asegúrese de que el usuario haya comprendido el correcto funcionamiento automático, manual y de emergencia de la automatización. Informe también por escrito al usuario final de los peligros y riesgos todavía presentes.

5.3 - Instrucciones y advertencias destinadas al usuario final

Marantec Antriebs- und Steuerungstechnik GmbH & Co. KG produce sistemas para la automatización de cancelas, puertas de garaje automáticas, cerraduras electrónicas, barreras para aparcamientos y carreteras. Marantec no es el productor de su automatización, que es el resultado de una obra de análisis, valoración, selección de materiales y realización de la instalación llevada a cabo por su instalador de confianza. Cada automatización es única y solo su instalador posee la experiencia y la profesionalidad necesarias para realizar una instalación de acuerdo con sus exigencias, segura y fiable a lo largo de los años y, sobre todo, realizada a la perfección y de acuerdo con las normativas en vigor. Incluso si su automatización satisface el nivel de seguridad requerido por las normativas, no se excluye la existencia de un "riesgo residual", esto es la posibilidad de que se puedan generar situaciones peligrosas debidas, normalmente, a un uso inconsciente o erróneo; por este motivo deseamos darle algunos consejos sobre el comportamiento que hay que seguir:

- Antes de utilizar por primera vez la automatización, pida al instalador que le explique el origen de los riesgos residuales (Fig.1).
- Conserve el manual para consultar cualquier duda que le pueda surgir en un futuro y entrégueselo al nuevo propietario de la automatización, si esta cambia de manos.
- Un uso inconsciente e impropio de la automatización puede hacer que esta sea peligrosa: no accione el movimiento de la automatización si en su radio de acción hay personas, animales o cosas.
- Niños: una instalación de automatización proyectada adecuadamente garantiza un alto grado de seguridad, impidiendo con sus sistemas de detección el movimiento en presencia de personas o cosas y garantizando una activación siempre previsible y segura. No obstante, es prudente prohibir a los niños jugar en las proximidades de la automatización y, para evitar activaciones involuntarias, no dejar los mandos a distancia a su alcance.
- Anomalías: si detecta cualquier comportamiento anómalo por parte de la automatización, retire la alimentación eléctrica de la instalación y lleve a cabo el desbloqueo manual. No intente realizar ninguna reparación solo, solicite la intervención de su instalador de confianza: mientras tanto la instalación puede usarse con una apertura no automatizada, una vez desbloqueado el motorreductor con la correspondiente llave de desbloqueo, incluida en la instalación.
- En caso de rupturas o falta de suministro eléctrico: a la espera de la intervención de su instalador o que de vuelta la energía eléctrica, si la instalación no cuenta con baterías de reserva, la automatización se puede accionar como cualquier otra puerta no automatizada. Para esto es necesario llevar a cabo el desbloqueo manual (Fig.2).

Desbloqueo y movimiento manual: antes de llevar a cabo esta operación, asegúrese de que la hoja de la puerta está detenida, solo así se puede realizar el desbloqueo (Fig.2).

- **Manutención:** como cualquier maquinaria, su automatización necesita una manutención periódica para poder tener una vida útil larga y funcionar de manera segura. Establezca con su instalador un plano de manutención con frecuencia periódica; Marantec aconseja una intervención cada 6 meses para un uso doméstico normal, pero este periodo puede variar en función de la intensidad de uso. Cualquier intervención de control, manutención o reparación debe realizarla solo personal cualificado.

ATENCIÓN !

La limpieza y el mantenimiento a cargo del usuario no deben ser realizados por niños sin supervisión.

- No modifique la instalación y los parámetros de programación y regulación de la automatización: la responsabilidad es de su instalador.
- El ensayo, la manutención periódica y cualquier reparación debe estar documentada por la persona que las lleva a cabo y el propie-

tario de la instalación debe guardar estos documentos.

Las únicas intervenciones posibles que le aconsejamos llevar a cabo periódicamente son la limpieza de los cristales de las fotocélulas y la retirada de hojas o piedras que pudieran obstaculizar la automatización. Para impedir que alguien pueda accionar la cancela o la puerta, antes de proceder, recuerde desbloquear la automatización y utilizar para la limpieza solo un paño ligeramente humedecido con agua.

- **Eliminación:** al finalizar la vida útil de la automatización, asegúrese de que sea desmontada por personal cualificado y de que los materiales se reciclen o eliminen de acuerdo con las normas válidas a nivel local.

- **Accionar el control de la cancela o de la puerta (con mando a distancia, con selector de llave, etc);** si todo va bien la cancela o la puerta se abrirá o cerrará con normalidad, de no ser así la luz intermitente parpadeará brevemente y no se iniciará la maniobra.

Con los indicadores de seguridad fuera de uso es necesario que la automatización se repare cuanto antes

Cambiar la pila del mando a distancia: si su control a distancial parece funcionar más lento, o no funciona en absoluto, podría tratarse simplemente de la pila (la duración de esta varía en función del uso de varios meses a más de un año). Lo puede comprobar si el testigo de confirmación de la transmisión no se enciende, o se enciende solo por un instante.

Las pilas contienen sustancias contaminantes: no las tire entre los residuos comunes, utilice los métodos previstos por las normativas locales.

Le agradecemos su confianza al elegir Marantec y le invitamos a visitar nuestra página web www.marantec.com para más información.

ATENCIÓN !

En el sitio internet www.marantec.com es posible descargar una versión más actualizada del manual entregado, comprobar posibles actualizaciones.

ÍNDICE

1	Advertências para a segurança	pág. 34
2	Introdução ao produto	pág. 35
2.1	Descrição do produto	pág. 35
2.2	Modelo e características técnicas	pág. 35
3	Verificações preliminares	pág. 35
4	Instalação do produto	pág. 36
4.1	Instalação	pág. 36
4.2	Fixação da placa de fundação	pág. 36
4.3	Desbloqueio do motorreductor	pág. 36
4.4	Fixação da placa	pág. 36
4.5	Fixação da cremalheira	pág. 36
4.6	Fixação dos fins de curso	
5	Teste e colocação em serviço	pág. 37
5.1	Teste	pág. 37
5.2	Colocação em serviço	pág. 37
5.3	Instruções e advertências destinadas ao utilizador final	pág. 38
6	Imagens	pág. 45
7	Declaração CE de conformidade	pág. 49

1 - ADVERTÊNCIAS PARA A SEGURANÇA

⚠ ATENÇÃO !

INSTRUÇÕES ORIGINAIS – instruções importantes de segurança. É importante para a segurança das pessoas observar as seguintes instruções de segurança. Conservar estas instruções.

Ler com atenção as instruções antes de instalar.

O projeto e o fabrico dos dispositivos que compõem o produto e as informações presentes neste manual respeitam as normas vigentes sobre segurança. Porém, a instalação ou a programação inadequada podem causar feridas graves às pessoas que fazem o trabalho e às que utilizarão o sistema. Por este motivo, durante a instalação, é importante seguir com atenção todas as instruções deste manual.

Não fazer a instalação se houver dúvidas de qualquer natureza e solicitar eventuais esclarecimentos ao serviço de Assistência Marantec.

De acordo com a legislação Europeia, a realização de uma porta ou de um portão automático deve respeitar as normas previstas pela diretiva 2006/42/CE (Diretiva Máquinas) e, em especial, as normas EN 12453; EN 12635 e EN 13241-1, que permitem declarar a conformidade da automação.

Tendo em conta o que precede, a ligação definitiva do automatismo à rede elétrica, o ensaio do sistema, a sua colocação em serviço e a manutenção periódica devem ser feitas por pessoal qualificado e experiente, respeitando as instruções indicadas na caixa "Ensaio e colocação em serviço da automação".

Além disso, deverá definir os ensaios previstos de acordo com os riscos presentes e verificar que sejam cumpridas as leis, normas e regulamentos, sobretudo todos os requisitos da norma EN12453 que estabelece os métodos de ensaio para o controlo dos automatismos para portas e portões.

⚠ ATENÇÃO !

Antes de iniciar a instalação, fazer as seguintes análises e controlos.

Verificar se todos os dispositivos destinados à automação são adequados ao sistema a realizar. Para tal, controlar cuidadosamente os dados no capítulo "Características técnicas". Não fazer a instalação mesmo se apenas um destes dispositivos não for apropriado para a utilização.

Verificar se os dispositivos adquiridos são suficientes para garantir a segurança do sistema e o seu funcionamento.

Analisar os riscos, verificando também a lista dos requisitos essenciais de segurança constantes do Anexo I da Diretiva Máquinas, e indicar as soluções adotadas. A análise dos riscos é um dos documentos que fazem parte do processo técnico da automação. O processo deve ser preenchido por instalador profissional.

Considerando as situações de risco que podem ocorrer durante as fases de instalação e de utilização do produto, é necessário instalar a automação, observando as seguintes indicações:

não fazer modificações em nenhuma parte do automatismo se não as indicadas neste manual. Operações deste tipo podem causar funcionamento defeituoso. O fabricante declina qualquer responsabilidade por danos que resultam de produtos alterados de forma abusiva.

Evitar que as partes dos componentes da automação possam ficar submersas em água ou em outros líquidos. Durante a instalação, evitar que os líquidos possam penetrar nos dispositivos presentes;

Se o fio elétrico estiver danificado, este deve ser substituído pelo fabricante ou por seu serviço de assistência técnica ou, todavia, por uma pessoa com qualificação similar, de modo a prevenir qualquer risco; Se substâncias líquidas penetrarem nas partes dos componentes da automação, desligar de imediato a alimentação elétrica e con-

tactar o serviço de Assistência Marantec. A utilização da automação nestas condições pode causar situações de perigo. Manter os componentes da automação afastados do calor e de chama aberta. Isso pode danificá-los e ser causa de funcionamento defeituoso, incêndio ou situações de perigo.

⚠ ATENÇÃO !

A unidade deve ser desligada da fonte de alimentação durante a limpeza, manutenção e substituição de componentes. Se o dispositivo de desligar não for visível, colocar um aviso com a seguinte mensagem: "MANUTENÇÃO EM CURSO".

Todos os dispositivos devem ser ligados a uma instalação elétrica equipada com ligação à terra de segurança.

O produto não pode ser considerado um sistema de proteção eficaz contra a intrusão. Se desejar proteger-se de forma eficaz, é necessário agregar na automação outros dispositivos.

O produto só pode ser utilizado depois que foi feita a "colocação em serviço" da automação, conforme previsto no parágrafo "Ensaio e colocação em serviço da automação".

Instalar na rede de alimentação do sistema um dispositivo de corte de corrente com uma distância de abertura entre os contactos que permita cortar a corrente completamente nas condições estabelecidas pela categoria de sobretensão III.

Para a ligação de tubos rígidos e flexíveis ou passa-fios, utilizar ligações conformes ao grau de proteção IP55 ou superior.

O sistema elétrico a montante da automação deve cumprir as normas vigentes e ser realizado como manda a lei.

o aparelho pode ser utilizado por crianças de idade não inferior a 8 anos e por pessoas com capacidade física, sensorial ou mental reduzida, ou que não tenha experiência ou a consciência necessária, à condição que sob supervisão ou depois de terem recebido instruções sobre a utilização segura do aparelho e se compreenderam os perigos existentes;

Antes de ligar a automação, assegurar-se que as pessoas não estejam perto da mesma.

Antes de fazer qualquer operação de limpeza e de manutenção da automação, desligar da corrente elétrica.

Deve-se ter cuidado para evitar o esmagamento entre a parte guiada e eventuais elementos fixos circundantes. As crianças devem ser supervisionadas para garantir que não brinquem com o aparelho.

o aparelho não pode ser utilizado com uma porta automatizada que possui uma porta para peões.

⚠ ATENÇÃO !

Examine periodicamente o sistema para verificar se há desalinhamentos ou sinais de desgaste mecânico, danos nos cabos, molas, peças de suporte. Não use se é necessária a reparação ou ajuste.

⚠ ATENÇÃO !

O material da embalagem de todos os componentes da automação deve ser eliminado de acordo com a norma local. A Marantec reserva-se o direito de modificar estas instruções se necessário. Esta versão ou versão superior encontra-se no sítio www.marantec.com

2 - INTRODUÇÃO AO PRODUTO

2.1 - Descrição do produto

Motorreduzores COMFORT SU para instalar em sistemas de automação para portões de correr com alimentação 24 Vdc. Os motorreduzores COMFORT SU são projetados e fabricados para a montagem em

portões de correr dentro dos limites de peso indicados no quadro das especificações técnicas. É proibida a utilização dos motorreduzores para aplicações diferentes das que foram indicadas anteriormente.

2.2 - Modelos e características técnicas

Código	Descrição
SU500F	Motorreductor 24 Vac com fins de curso magnético, peso máximo do portão igual a 500 Kg
SU700M	Motorreductor 24 Vdc com fins de curso mecânicos, peso máximo do portão igual a 700 Kg
SU1100M	Motorreductor 24 Vdc com fins de curso mecânicos, peso máximo do portão igual a 1100 Kg

DADOS TÉCNICOS

MODÈLE		SU500F	SU700M	SU1100M
CARAC. TÉCNICAS				
Velocidade	cm/s	40	25	20
Binário	Nm	23	26	38
Ciclo de trabalho	%	70	80	80
Comando Central		CBX10224F	CBX10224	CBX10224
Alimentação	Vac (Vdc)	230(24)	230(24)	230(24)
Absorção	A	1,5	1,5	1,3
Potência do motor	W	345	345	300
Capacitor	µF	-	-	-
Thermoprotection	°C	110	-	-
Lâmpada embutida		-	-	-
Grau de proteção	IP	44	44	44
Dimensões (L-P-H)	mm	330-210-300	330-210-300	330-210-300
Peso	Kg	12,5	12,5	13
Temp. de funcionam.	°C	-20+55	-20+55	-20+55
Peso máx da porta	Kg	500	700	1100
Nível de ruído	dB(A)	≤ 70	≤ 70	≤ 70

3 - VERIFICAÇÕES PRELIMINARES

Antes de instalar o produto, verifique e controle os seguintes pontos:

- Verificar se o portão ou a porta são adequados para serem automatizados.
- O peso e tamanho do portão ou da porta tem de estar dentro dos limites máximos permitidos
- Verificar a presença e a solidez das paragens mecânicas de segurança do portão ou da porta
- Verificar se a zona de fixação do produto não está sujeita a inundações
- Condições de elevada acidez ou salinidade ou a proximidade de fontes de calor poderão causar avarias no produto
- Em caso de condições climáticas extremas (por exemplo, na presença de neve, gelo, elevada amplitude térmica, temperaturas elevadas) o atrito poderá aumentar e, portanto, a força necessária para a movimentação e o impulso inicial poderão ser superiores aos

necessários em condições normais.

Verificar se a movimentação manual do portão ou da porta é fluida e sem zonas de grande atrito ou se existe risco de descarrilhamento do mesmo

- Verificar se o portão ou a porta estão em equilíbrio e se permanecem parados caso sejam deixados em qualquer posição
- Verificar se a linha eléctrica à qual será ligado o produto possui ligação à terra de segurança e é protegida por um dispositivo magnetotérmico e diferencial
- Predisponha na rede de alimentação do sistema um dispositivo de desconexão com uma distância de abertura dos contactos que permita a desconexão completa nas condições exigidas pela categoria de sobretensão III
- Verificar se todo o material utilizado para a instalação está em conformidade com as normativas vigentes

4 - INSTALAÇÃO DO PRODUTO

4.1 - Instalação

⚠ ATENÇÃO !

O instalador deve verificar se a faixa de temperatura referida no dispositivo de automação é adequada para a posição em que deve ser instalado.

Antes de prosseguir com a instalação, verifique a integridade do produto e que todos os componentes estejam no pacote.

Verificar também que o peso do portão esteja em conformidade com o quadro (parágrafo 2.2) e as dimensões do motorreductor sejam respeitadas (Fig.1).

A Fig.2 mostra uma instalação típica:

Motorreductores (1)
Fotocélulas (2)
Colunas para fotocélulas (3)
Luz intermitente com antena interna (4)
Interruptor de chave ou teclado digital (5)
Borda sensível (6)

⚠ ATENÇÃO !

A automação deve ser necessariamente equipada de um barra de apalpação de proteção de todos os pontos de possível esmagamento (mãos, pés etc.) em conformidade com os requisitos previstos pela norma EN 13241-1.

4.2 - Fixação da placa de fundação

Verificar as dimensões da placa da base e o posicionamento, fixe a chapa de base no chão utilizando 4 buchas de expansão robustas ou mergulhe-a no betão (Fig.3).

Utilizar um ou mais tubos ondulados para passar os cabos elétricos.

⚠ ATENÇÃO !

É necessário conhecer as dimensões da cremalheira para poder calcular com precisão o posicionamento da placa de fixação.

4.3 - Desbloqueio do motorreductor

Para desbloquear o motorreductor, abrir a tampa ao lado (Fig. 4.1) e rodar o perno com a chave de desbloqueio ou com o controlo remoto Sub (Fig.4.2). De seguida, rodar a alavanca (Fig. 5).

⚠ ATENÇÃO !

Nos motores com luzes noturnas incorporadas (Night Light System) tenha cuidado para não partir o cabo que liga as luzes da tampa à unidade de comando. Se necessário, desligar o conector indicado na figura 7.

4.4 - Fixação da placa

Abrir a tampa utilizando uma chave de parafuso nas sedes laterais (Fig.6).

Apoiar o motorreductor na placa e fixar as 4 porcas (Fig. 8a). Se a regulação permitida pela cremalheira não for suficiente, é possível, antes de apertar as porcas, compensar a altura do motorreductor por meio dos quatro parafusos sem cabeça de regulação (Fig. 8b). Uma vez concluída a operação, é importante apertar completamen-

te as porcas, e certificar-se de que durante todo o curso do portão o motorreductor fique bem firme no chão.

Recomenda-se, após algumas manobras do motorreductor, apertar mais uma vez os parafusos.

Voltar a posicionar a tampa de modo a orientar a luz na direção desejada (Fig. 9), por exemplo na direção da passagem.

4.4 - Fixação da cremalheira

Abra totalmente o portão.

Apoie um elemento da cremalheira no pinhão e fixe-o no portão com parafusos e espaçadores (Fig.10).

Mova o portão manualmente para pôr o pinhão na posição correspondente ao último espaçador.

Fixe o elemento da cremalheira definitivamente.

Para obter o posicionamento correcto dos outros elementos e garantir a sua rectilinearidade, é preciso utilizar um elemento de cremalheira como apoio e referência. Também se deve garantir uma folga de 2 mm entre a cremalheira e o pinhão para que o peso do portão não sobrecarregue o pinhão do motorreductor.

4.5 - Fixação dos fins de curso

⚠ ATENÇÃO !

O portão deve ter batentes de paragem para a abertura e para o fecho, capazes de impedir o descarrilamento dele.

A posição do batente de paragem deve impedir que os estribos de fim de curso se choquem contra o pinhão. (Fig.11)

Abra o portão manualmente deixando, em função do peso do portão,

um espaço de 30 a 50 mm entre o portão e o batente de paragem mecânico.

Fixe o estribo do fim de curso com os parafusos sem cabeça (Fig.11) de maneira que o microinterruptor de fim de curso seja pressionado.

Repita a operação para o fecho do portão.

Seguir as instruções da placa de comando e, por fim, fechar a tampa.

5 - ENSAIO E COLOCAÇÃO EM SERVIÇO

O teste do sistema deve ser executado por um técnico qualificado que deve efectuar os testes solicitados pela normativa de referência em função dos riscos presentes, verificando o cumprimento

das disposições previstas pelas normativas, em particular a norma EN12453 que indica os métodos de teste a máquinas para portas e portões.

5.1 - Ensaio

Todos os componentes do sistema devem ser ensaiados de acordo com as indicações dos respetivos manuais de instruções;

controlar que sejam respeitadas as indicações do Capítulo 1 – Avisos sobre a segurança;

controlar se o portão ou a porta possam movimentar-se livremente uma vez desbloqueada a automação e se estão equilibrados e se permanecem parados se deixados em qualquer posição;

controlar o bom funcionamento de todos os dispositivos ligados

(fotocélulas, barras de apalpação, botões de emergência etc.) fazendo os ensaios de abertura, fecho e paragem do portão ou da porta através dos dispositivos de comando ligados (transmissores, botões, seletores);

fazer as medições da força de impacto conforme previsto pela norma EN12453 regulando as funções de velocidade, força do motor e abrandamentos da unidade se as medições não derem os resultados desejados até obter a regulação adequada.

5.2 - Colocação em serviço

Após o teste positivo de todos (e não apenas de alguns) dispositivos do sistema, o sistema pode ser operado.

É necessário realizar e conservar durante 10 anos o manual técnico do sistema que deverá incluir o esquema eléctrico, o desenho ou fotografia do sistema, a análise dos riscos e as soluções adoptadas, a declaração de conformidade do fabricante de todos os dispositivos ligados, o manual de instruções de cada dispositivo e o plano de manutenção do sistema.

Afixe no portão ou a porta uma placa com a indicação dos dados da máquina, o nome do responsável pela colocação em serviço, o número de matrícula, o ano de construção e a marca CE.

Afixe uma placa que indique as operações necessárias para desbloquear manualmente o sistema.

Faça e entregue ao utilizador final a declaração de conformidade, as instruções e advertências de utilização e o plano de manutenção do sistema.

Verifique se o utilizador entendeu o correcto funcionamento automático, manual e de emergência do dispositivo.

Informe também por escrito o utilizador final acerca dos perigos e riscos presentes.

5.3 - Instruções e advertências destinadas ao utilizador final

Marantec Antriebs- und Steuerungstechnik GmbH & Co. KG produz sistemas para a automação de portões, portas de garagem, portas automáticas, persianas, cancelas para parques de estacionamento e auto-estradas A Marantec não é, porém, o produtor do automatismo do seu sistema, que é o resultado de uma obra de análise, avaliação, escolha de materiais e realização do sistema executada pelo seu técnico de instalação de confiança. Cada máquina é única e apenas o seu técnico de instalação possui a experiência e profissionalismo necessários para realizar um sistema de acordo com as suas exigências, seguro e fiável ao longo do tempo, e sobretudo de acordo com as normas em vigor. Mesmo que sua máquina satisfaça o nível de segurança exigido pelas normativas, isto não exclui a existência de um "risco residual", ou seja, a possibilidade de criação de situações de perigo, normalmente devidas a um uso inconsciente ou até mesmo errado, por isso gostaríamos de dar alguns conselhos sobre as medidas de segurança necessárias:

- Antes de usar pela primeira vez a máquina, peça ao técnico de instalação que lhe explique a origem dos riscos residuais (Fig.1).
- Conserve o manual para o caso de dúvidas no futuro e entregue-o a um eventual novo proprietário da máquina.
- O uso inconsciente e impróprio da máquina pode torná-la perigosa: não comande o movimento da máquina se no seu raio de acção se estiverem pessoas, animais ou coisas.
- Crianças: se for construído de forma adequada, um sistema de automação garante um elevado grau de segurança, impedindo com os seus sistemas de detecção o movimento em presença de pessoas ou coisas e garantindo uma activação sempre previsível e segura. No entanto é prudente proibir as crianças de brincarem nas imediações da máquina e, para evitar activações involuntárias, não deixe os telecomandos ao seu alcance.
- Anomalias: assim que notar algum comportamento anormal por parte da máquina, remova a alimentação eléctrica ao sistema e realize o desbloqueio manual. Não tente fazer nenhum conserto sozinho, mas solicite a intervenção do seu técnico de confiança: entretanto, o sistema pode funcionar como uma abertura não automatizada, uma vez desbloqueado o motorreductor com a chave de desbloqueio fornecida originalmente com o sistema.
- Em caso de rupturas ou falta de alimentação: espere a intervenção do seu técnico, ou o regresso da energia eléctrica se o sistema não possuir baterias tampão, a máquina pode ser accionada como uma abertura qualquer não automatizada. Para isto, é necessário efectuar o desbloqueio manual (Fig.2).

Desbloqueio e movimento manual: antes de executar esta operação, preste atenção, que o desbloqueio pode ser feito apenas quando o portão estiver parado (Fig.2).

- Manutenção: como qualquer equipamento, a sua máquina necessita de uma manutenção periódica para que funcione durante o maior tempo possível em completa segurança. Combine com o seu técnico um plano de manutenção com frequência periódica; a Marantec recomenda uma intervenção a cada 6 meses para uma normal utilização doméstica, mas este período pode variar em função da intensidade de utilização. Qualquer intervenção de controlo, manutenção ou reparação deve ser efectuada apenas por pessoal qualificado.

ATENÇÃO !

A limpeza e a manutenção não devem ser feitas por crianças sem supervisão.

- Não altere o sistema e os parâmetros de programação e de regulação da automação: a responsabilidade é do seu técnico.
- O teste, as manutenções periódicas e as eventuais reparações devem ser documentadas por quem as executa e os documentos

conservados pelo proprietário do sistema.

As únicas intervenções que poderá fazer e, que aconselhamos que as realize regularmente, são a limpeza dos vidros das fotocélulas e a remoção de eventuais folhas ou pedras que possam obstruir o automatismo.

Para impedir que qualquer pessoa possa accionar o portão ou porta, antes de proceder, lembre-se de desbloquear a máquina e utilizar para a limpeza um pano ligeiramente humedecido com água.

- Eliminação: No final da vida útil do sistema de automatismo, certifique-se de que a eliminação seja efectuada por pessoal qualificado e que os materiais sejam reciclados ou eliminados de acordo com as normas válidas a nível local.

- Accione o comando do portão ou porta (com telecomando, com selector de chave, etc.); se tudo estiver bem, o portão ou a porta irá abrir e fechar normalmente, caso contrário, a intermitência será activada e a manobra não é activada.

Com as seguranças desactivadas, é necessário reparar a máquina o quanto antes.

Substituição pilha do telecomando: se o seu radiocomando após algum tempo apresentar problema ou não funcionar, verifique a pilha (dependendo do uso, poderá durar alguns meses ou até mais de um ano).

Se houver problema, o led de confirmação da transmissão não acende, ou pode acender apenas por breves instantes.

As pilhas contêm substâncias poluentes: não descarte-as no lixo normal, utilize os métodos previstos pelos regulamentos locais.

Agradecemos por ter escolhido a Marantec e convidamo-lo a visitar o nosso website www.marantec.com para mais informações.

ATENÇÃO !

No sítio www.marantec.com pode descarregar uma versão mais atualizada do manual fornecido. Verifique eventuais atualizações.

SPIS TREŚCI

1	Zalecenia dotyczące bezpieczeństwa	str. 40
2	Omówienie produktu	str. 41
2.1	Opis produktu	str. 41
2.2	Model i dane techniczne	str. 41
3	Kontrole wstępne	str. 41
4	Instalacja produktu	str. 42
4.1	Instalacja	str. 42
4.2	Mocowanie płyty fundamentowej	str. 42
4.3	Odblokowanie motoreduktora	str. 42
4.4	Mocowanie płyty	str. 42
4.5	Montowanie listwy	str. 42
4.6	Mocowanie wyłącznika krańcowego	
5	Próba techniczna i wprowadzenie do użytku	str. 43
5.1	Próba techniczna	str. 43
5.2	Wprowadzenie do użytku	str. 43
5.3	Instrukcje i ostrzeżenia kierowane do użytkownika końcowego	str. 44
6	Ilustracje	str. 45
7	Deklaracja zgodności WE	str. 49

1 - ZALECENIA DOTYCZĄCE BEZPIECZEŃSTWA

UWAGA !

INSTRUKCJA ORYGINALNA – ważne zalecenia dotyczące bezpieczeństwa. W celu zapewnienia bezpieczeństwa osób należy stosować się do poniższych zaleceń. Zachować niniejszą instrukcję.

Przed przystąpieniem do montażu zapoznać się uważnie z treścią instrukcji.

Procesy projektowania i produkcji urządzeń wchodzących w skład produktu, jak też informacje zawarte w niniejszej instrukcji, spełniają wymogi obowiązujących przepisów bezpieczeństwa. Pomimo tego nieprawidłowa instalacja oraz błędne programowanie mogą spowodować poważne obrażenia osób wykonujących montaż lub eksploatujących instalację. Dlatego też podczas wykonywania instalacji należy rygorystycznie stosować się do wszelkich zaleceń podanych w niniejszej instrukcji.

Nie kontynuować montażu w przypadku wystąpienia jakichkolwiek wątpliwości. Zwrócić się wcześniej o wyjaśnienia do serwisu technicznego Marantec.

W myśl prawodawstwa europejskiego wykonanie bramy garażowej lub ogrodzeniowej z napędem powinno przebiegać zgodnie z wymogami Dyrektywy 2006/42/WE (Dyrektywa Maszynowa), a w szczególności zgodnie z wymogami norm EN 12453; EN 12635 oraz EN 13241-1, które umożliwiają wydanie deklaracji zgodności automatyki.

Zważając na powyższe, ostateczne podłączenie automatyki do sieci elektrycznej, odbiór instalacji, uruchomienie oraz konserwacja okresowa powinny być wykonywane przez wykwalifikowany i doświadczony personel. Zobowiązany on jest do stosowania się do zaleceń podanych w rozdziale „Odbiór techniczny i uruchomienie automatyki”.

Ponadto wspomniany personel zobowiązany jest do przeprowadzenia odpowiednich testów, w zależności od występujących zagrożeń, oraz do sprawdzenia, czy spełniane są wymogi odpowiednich przepisów, norm i uregulowań. W szczególności dotyczy to spełniania wszystkich wymogów normy EN12453, która określa metody badań kontrolnych automatyki bram garażowych i ogrodzeniowych.

UWAGA !

Przed przystąpieniem do montażu wykonać następujące analizy i kontrole:

Sprawdzić, czy poszczególne urządzenia automatyki są przydatne do danych celów i dostosowane do wykonywanej instalacji. W tym celu sprawdzić dokładnie dane podane w rozdziale „Parametry techniczne”. Nie przystępować do wykonywania instalacji w przypadku, gdy nawet jeden element nie nadaje się do użycia.

Sprawdzić, czy urządzenia obecne w zestawie są wystarczające do zapewnienia bezpieczeństwa instalacji oraz jej poprawnego działania.

Przeprowadzić analizę zagrożeń, która powinna obejmować również wykaz zasadniczych wymogów bezpieczeństwa, wymienionych w Załączniku I Dyrektywy Maszynowej, wraz ze wskazaniem zastosowanych rozwiązań. Analiza zagrożeń jest jednym z dokumentów wchodzących w zakres dokumentacji technicznej automatyki. Dokument powinien zostać wypełniony przez profesjonalnego instalatora.

Z uwagi na niebezpieczne sytuacje, które mogą wystąpić podczas montażu oraz używania produktu, produkt należy montować, przestrzegając następujących zaleceń:

Zabrania się dokonywania modyfikacji jakiegokolwiek części, jeżeli nie zostało to wyraźnie wskazane w niniejszej instrukcji. Niestosowanie się do powyższych zaleceń może stanowić przyczynę nieprawidłowego działania napędu. Producent nie ponosi żadnej odpowiedzialności z tytułu szkód powstałych w wyniku tego rodzaju modyfikacji.

w przypadku stwierdzenia uszkodzenia przewodu elektrycznego, powinien on zostać wymieniony przez producenta, autoryzowany serwis techniczny lub przez osobę posiadającą odpowiednie kwalifikacje, co zapobiegnie powstawaniu zagrożenia; Należy unikać zanurzania elementów układu automatyki w wodzie lub w innego rodzaju cieczach. Podczas montażu zwracać uwagę, aby żadnego rodzaju cieczy nie dostały się do wnętrza urządzeń.

W przypadku, gdyby płynne substancje przedostały się do wnętrza elementów układu automatyki, odłączyć niezwłocznie zasilanie elektryczne i skontaktować się z serwisem technicznym Marantec. Użytkowanie automatyki w powyższej sytuacji stanowi źródło zagrożenia.

Nie składować żadnego z elementów układu automatyki w pobliżu źródeł ciepła oraz nie wystawiać na działanie otwartych płomieni. Może to spowodować uszkodzenia lub nieprawidłowe działanie, pożar bądź sytuację zagrożenia.

UWAGA !

Jednostkę należy odłączyć od źródła zasilania na czas czyszczenia, konserwacji i wymiany komponentów. Jeżeli urządzenie odłączające nie jest widoczne, umieścić tablicę z napisem: „UWAGA TRWAJĄ PRACE KONSERWACYJNE”.

Wszystkie urządzenia należy podłączać do linii zasilania elektrycznego wyposażonej w uziemienie zabezpieczające.

Produkt nie stanowi skutecznego systemu zabezpieczającego przed włamaniem. W przypadku konieczności takiego zabezpieczenia, automatykę należy poszerzyć o dodatkowe urządzenia.

Produkt może być używany wyłącznie po podłączeniu automatyki do uziemienia, zgodnie z instrukcją podaną w paragrafie „Odbiór techniczny oraz uruchomienie automatyki”.

W sieci zasilania instalacji zamontować urządzenie odłączające, w którym odległość otwartych styków umożliwiać będzie całkowite odłączenie instalacji w warunkach określonych w III kategorii przepięciowej.

Na użytek podłączenia sztywnych lub elastycznych przewodów lub też przewodów używać złączy posiadających stopień ochrony IP55 lub wyższy.

Instalacja elektryczna znajdująca się przed automatyką powinna spełniać wymogi obowiązujących przepisów oraz powinna zostać wykonana zgodnie z zasadami sztuki.

urządzenie może być obsługiwane przez dzieci w wieku powyżej 8 lat oraz przez osoby z ograniczonymi zdolnościami fizycznymi, sensorycznymi lub umysłowymi lub osoby nieposiadające wystarczającego doświadczenia albo wiedzy, jeśli osoby te pozostają pod nadzorem lub zostały pouczone w zakresie bezpiecznej obsługi urządzenia i są świadome związanych z tym zagrożeń;

przed uruchomieniem automatyki upewnić się, że w pobliżu nie znajdują się żadne osoby;

przed przystąpieniem do czynności czyszczenia i konserwacji automatyki, odłączyć ją od sieci elektrycznej;

należy zachować szczególną uwagę, aby uniknąć zgniecenia pomiędzy elementem ruchomym a otaczającymi go elementami stałymi; Dzieci powinny pozostawać pod opieką dorosłych, co wykluczy możliwość niewłaściwej obsługi urządzenia.

urządzenie nie może być wykorzystywane do obsługi bramy automatycznej, w którą wbudowane jest przejście dla pieszych.

UWAGA !

Sprawdzać okresowo konstrukcję pod kątem utraty wyważenia, oznak zużycia mechanicznego, uszkodzenia przewodów, sprężyn lub części podporowych. Nie używać, jeżeli jest to konieczne naprawy lub regulacji.

UWAGA !

Materiał, z którego zostało wykonane opakowanie wszystkich elementów układu automatyki, należy zutylizować, przestrzegając miejscowych przepisów prawa w tym zakresie. Marantec zastrzega sobie prawo do modyfikowania niniejszej instrukcji w razie takiej potrzeby. Wersja aktualna, i/lub nowsze wersje instrukcji znajdują się na stronie internetowej www.marantec.com

2 - OMÓWIENIE PRODUKTU

2.1 - Opis produktu

Motoreduktory COMFORT SU przeznaczone są do montowania w zespołach automatyki do bram przesuwnych z zasilaniem 24 Vdc. Motoreduktory COMFORT SU zostały zaprojektowane i przeznaczone do montażu na bramach przesuwnych, w zakresie mas podanych

w tabeli zawierającej dane techniczne. Zabrania się użycia motoreduktorów do zastosowań innych niż wskazane powyżej.

2.2 - Model i dane techniczne

Kod	Opis
SU500F	Motoreduktor 24 Vac z wyłącznikiem krańcowym magnetyczny, maksymalna masa bramy 500 kg
SU700M	Motoreduktor 24 Vdc z wyłącznikiem krańcowym mechanicznym, maksymalna masa bramy 700 kg
SU1100M	Motoreduktor 24 Vdc z wyłącznikiem krańcowym mechanicznym, maksymalna masa bramy 1100 kg

DANE TECHNICZNE

MODEL		SU500F	SU700M	SU1100M
SPECYF. TECHNIC.				
Prędkość	cm/s	40	25	20
Moment obrotowy	Nm	23	26	38
Cykl pracy	%	70	80	80
Centralne Dowództwo		CBX10224F	CBX10224	CBX10224
Dostawa	Vac (Vdc)	230(24)	230(24)	230(24)
Pobór	A	1,5	1,5	1,3
Moc silnika	W	345	345	300
Kondensator	µF	-	-	-
Zabezpiec. termiczne	°C	110	-	-
Wbudowane światło		-	-	-
Stopień ochrony	IP	44	44	44
Wymiary (L - P - H)	mm	330-210-300	330-210-300	330-210-300
Waga	Kg	12,5	12,5	13
Temperatura robocza	°C	-20+55	-20+55	-20+55
Maksymalna waga drzwi	Kg	500	700	1100
Poziom emisji hałasu	dB(A)	≤ 70	≤ 70	≤ 70

3 - KONTROLE WSTĘPNE

Przed zainstalowaniem produktu należy:

- Skontrolować, czy brama lub drzwi nadają się do automatyzacji
- Waga i wymiary bramy lub drzwi muszą zawierać się w maksymalnych granicach zastosowania wskazanych na Rys.2
- Skontrolować obecność i solidność mechanicznych ograniczników bezpieczeństwa bramy lub drzwi
- Sprawdzić, czy miejsce zamocowania produktu nie jest miejscem podatnym na zalanie.
- Warunki podwyższonej kwasowości lub zasolenia oraz bliskość źródeł ciepła mogą powodować usterki w pracy produktu
- W ekstremalnych warunkach klimatycznych (takich jak na przykład śnieg, lód, nagła zmiana temperatury, wysokie temperatury) może dojść do wzmożonego tarcia i tym samym siła potrzebna do poruszania skrzydła oraz początkowa moc rozruchowa mogą być większe niż w normalnych warunkach.
- Skontrolować, czy ręczne przesuwanie bramy lub drzwi przebiega płynnie i czy brak jest odcinków o zwiększonym tarcu oraz czy nie ma niebezpieczeństwa wykołowania się skrzydła
- Skontrolować, czy brama lub drzwi są w równowadze i czy przy pozostawieniu ich w dowolnej pozycji, pozostają w bezruchu
- Sprawdzić, czy linia elektryczna, do której będzie podłączony produkt, jest wyposażona w odpowiednie uziemienie zabezpieczające i czy jest chroniona przez wyłącznik magnetotermiczny i wyłącznik różnicowoprądowy
- Sieć zasilającą instalację należy wyposażyć w urządzenie rozłączające o takiej odległości rozwarcia styków, która umożliwi całkowite rozłączenie w warunkach określonych dla kategorii przepięć III.
- Sprawdzić, czy wszystkie materiały użyte do instalacji są zgodne z obowiązującymi przepisami

4 - INSTALACJA PRODUKTU

4.1 - Instalacja

UWAGA !

Instalator musi sprawdzić, czy zakres temperatur podany na jednostce jest odpowiedni do miejsca, w którym ma być ona zainstalowana.

Przed rozpoczęciem instalacji, należy sprawdzić, czy produkt nie jest uszkodzony i czy wszystkie jego komponenty znajdują się w opakowaniu. Należy sprawdzić, czy masa bramy jest zgodna z danymi podanymi w tabeli (paragraf 2.2), oraz czy zostały uwzględnione wymiary gabarytowe motoreduktora (rys. 1).

Na rys.2 przedstawiono tytułem przykładu typowy sposób instalacji:

Motoreduktory (1)
Fotokomórki (2)
Słupki do fotokomórek (3)
Lampa sygnalizacyjna z wbudowaną anteną (4)
Przełącznik kluczykowy lub klawiatura cyfrowa (5)
Listwa krawędziowa (6)

UWAGA !

System automatyki musi być bezwzględnie wyposażony w listwę krawędziową w celu ochrony przed potencjalnym zgnieciem rąk i nóg, zgodnie z wymogami zawartymi w normie EN 13241-1.

4.2 - Mocowanie płyty fundamentowej

Sprawdzić wymiary gabarytowe płyty podstawy oraz jej ustawienie, przymocuj do ziemi płytę podstawy za pomocą 4 solidnych kołków rozporowych lub zatop ją w betonie (rys.3).

Przygotować jeden lub większą liczbę harmonijkowych przewodów rurowych do przeprowadzenia przewodów elektrycznych.

UWAGA !

Należy znać wymiary listwy zębatej, aby precyzyjnie obliczyć położenie płyty mocującej.

4.3 - Odblokowanie motoreduktora

Aby odblokować motoreduktor, otworzyć zaślepkę z boku (rys. 4.1). Obrócić sworzeń za pomocą klucza odblokowującego lub pilota Sub (rys. 4.2). Następnie obrócić dźwignię (rys. 5).

UWAGA !

W przypadku silników z wbudowanym oświetleniem nocnym (Night Light System) należy uważać, aby nie wyrwać przewodu elektrycznego łączącego oświetlenie na pokrywie z centralką sterowania. W razie potrzeby odłączyć łącznik wskazany na rys 7.

4.4 - Mocowanie płyty

Otworzyć pokrywę, podważając wkrętakiem wsuniętym w znajdujące się po bokach gniazda (rys. 6).

Ustawić motoreduktor na płycie. Dokręcić 4 nakrętki (rys. 8a). W przypadku, gdy regulacja udostępniana przez listwę zębatą nie będzie wystarczająca do skompensowania wysokości motoreduktora, przed dokręceniem nakrętek posłużyć się czterema kołkami regulacyjnymi (rys. 8b).

Po zakończeniu czynności dokręcić całkowicie nakrętki. Upewnić

się, że podczas wykonywania całego przebiegu skrzydła bramy motoreduktor pozostaje dobrze umocowany do podłoża.

Po wykonaniu kilku manewrów za pomocą motoreduktora, śruby należy ponownie dokręcić.

Zamontować ponownie pokrywę w takim położeniu, aby zapewnić ustawienie światła w wybranym kierunku (rys. 9), np.: w kierunku przejścia.

4.4 - Montowanie listwy

Całkowicie otwórz bramę.

Położ listwę na napędzie zębatym i przymocuj ją do bramy za pomocą wkrętu i progów rozdzielających (rys.10).

Przesuń ręcznie bramę, ustawiając napęd zębaty w linii z ostatnim progiem rozdzielającym.

Aby zapewnić prawidłowe i proste położenie pozostałych elementów, należy posłużyć się listwą jako podporą oraz punktem odniesienia. Poza tym należy zachować odstęp 2 mm pomiędzy listwą i napędem zębatym, aby brama nie opierała się o napęd zębaty silnika.

4.5 - Mocowanie wyłącznika krańcowego

UWAGA !

Brama musi być wyposażona w dwa zamki blokujące przy otwarciu i zamknięciu, aby zapobiec jej wykolejeniu się.

Położenie zamków blokujących musi zapewnić, że wsporniki wyłącznika krańcowego nie zderzają się z napędem zębatym. (rys.11)

Przesuń bramę ręcznie zostawiając przy otwarciu odstęp o wymiarach od 30 do 50mm, w zależności od ciężaru bramy, pomiędzy bramą główną i hamulcem mechanicznym. Przymocuj wspornik wyłącznika krańcowego za pomocą sworzeni (rys.11), tak aby wyłącznik krańcowy pozostał wciśnięty. Powtórz czynność przy zamknięciu bramy głównej.

Zastosować się do instrukcji płyty sterowniczej. Po zakończeniu czynności pokrywę zamontować i umocować śrubami.

5 - ODBIÓR TECHNICZNY I URUCHOMIENIE

Odbiór techniczny instalacji powinien zostać wykonany przez wykwalifikowanego technika, który zobowiązany jest do przeprowadzenia testów, określonych przez odpowiednie przepisy w zależności od występujących zagrożeń, oraz do sprawdzenia,

czy spełniane są wymogi właściwych przepisów. W szczególności dotyczy to normy EN12453, która określa metody badań kontrolnych automatyki bram garażowych i ogrodzeniowych.

5.1 - Odbiór techniczny

Wszystkie elementy powinny zostać poddane odbiorowi zgodnie z procedurami określonymi w odpowiednich instrukcjach obsługi;

sprawdzić, czy przestrzegane są zalecenia podane w Rozdziale 1 – Uwagi dotyczące bezpieczeństwa;

sprawdzić, czy brama ogrodzeniowa lub garażowa mogą swobodnie się przesuwac po odblokowaniu automatyki oraz czy są odpowiednio wyważone, a tym samym czy nie przesuwają się po pozostawieniu w dowolnym położeniu; sprawdzić poprawność działania wszystkich podłączonych urządzeń

(fotokomórki, listwy bezpieczeństwa, przyciski zatrzymania awaryjnego i inne), poprzez wykonanie cyklu otwierania, zamykania i zatrzymania bramy ogrodzeniowej lub garażowej, używając do tego celu podłączonych urządzeń sterowania (nadajniki, przyciski, przełączniki);

dokonać pomiarów siły uderzenia, zgodnie z zaleceniami zawartymi w normie EN12453. W przypadku niezadowolających wyników dokonać regulacji prędkości, siły silnika oraz punktów zwalniających centrali, aż do uzyskania optymalnych rezultatów.

5.2 - Uruchomienie

Po zakończeniu odbioru technicznego z wynikiem pozytywnym wszystkich (a nie tylko niektórych) urządzeń instalacji, można przystąpić do uruchomienia;

należy sporządzić i przechowywać przez 10 lat dokumentację techniczną instalacji. Powinna ona zawierać schemat elektryczny, rysunek lub zdjęcie instalacji, analizę zagrożeń wraz z zastosowanymi rozwiązaniami, deklaracje zgodności wydane przez producentów wszystkich podłączonych urządzeń, instrukcje obsługi każdego z urządzeń oraz harmonogram konserwacji instalacji;

umieścić na bramie tabliczkę zawierającą dane dotyczące automatyki, nazwisko osoby odpowiedzialnej za uruchomienie), numer seryjny, rok produkcji oraz oznakowanie WE;

umocować tabliczkę zawierającą opis operacji niezbędnych do ręcznego odblokowania bramy;

przygotować i przekazać użytkownikowi automatyki deklarację zgodności, instrukcję obsługi oraz zalecenia dotyczące użytkowania, jak też harmonogram konserwacji instalacji;

upewnić się, że użytkownik poprawnie zrozumiał zasadę prawidłowego działania automatyki w trybie automatycznym, ręcznym i awaryjnym;

poinformować użytkownika końcowego, również w formie pisemnej, o pozostałych zagrożeniach i ryzykach;

UWAGA - po wykryciu przeszkody brama ogrodzeniowa lub garażowa zatrzymuje się w położeniu otwartym a jej automatyczne zamykanie jest dezaktywowane. W celu przywrócenia ruchu wcisnąć przycisk polecenia lub posłużyć się nadajnikiem.

5.3 - Instrukcje i ostrzeżenia kierowane do użytkownika końcowego

Firma Marantec Antriebs- und Steuerungstechnik GmbH & Co. KG produkuje systemy automatyki dla bram, drzwi garażowych, drzwi automatycznych, okiennic, szlabanów parkingowych i drogowych. Marantec nie jest jednak producentem Państwa systemu automatyki, który jest rezultatem badań, ocen, wyboru materiałów i wykonania instalacji przeprowadzonych przez Państwa zaufanego instalatora. Każdy system automatyki jest unikalny i tylko Państwa instalator jest w stanie, dzięki posiadanemu doświadczeniu i profesjonalizmowi, wykonać instalację odpowiadającą Państwa wymaganiom, bezpieczną, niezawodną, trwałą i zgodną z obowiązującymi przepisami. Mimo że posiadany przez Państwa system automatyki spełnia wymogi bezpieczeństwa określone przez przepisy, nie wyklucza to zaistnienia „ryzyka resztkowego”, tzn. możliwości zaistnienia sytuacji niebezpiecznych, zazwyczaj spowodowanych przez nieodpowiedzialne lub nieprawidłowe użytkowanie systemu, w związku z czym pragniemy zamieścić kilka rad, do które warto się stosować:

- Przed pierwszym użyciem systemu automatyki, instalator powinien wskazać źródła ryzyka resztkowego (rys.1).
- Instrukcję obsługi należy zachować na wypadek przyszłych wątpliwości i przekazać ją ewentualnemu nowemu właścicielowi systemu automatyki.
- Nieodpowiedzialne i nieprawidłowe użycie systemu automatyki może doprowadzić do niebezpiecznych sytuacji: nie należy uruchamiać systemu, jeśli w jego promieniu działania znajdują się osoby, zwierzęta lub przedmioty.
- Dzieci: Jeśli instalacja automatyki została prawidłowo zaprojektowana, gwarantuje ona wysoki stopień bezpieczeństwa, uniemożliwiając, dzięki swym systemom wykrywania, ruch skrzydła w obecności osób lub przedmiotów, i gwarantując zawsze bezpieczne i przewidywalne uruchamianie. Dla ostrożności powinno się jednak zabronić dzieciom zabaw w pobliżu systemu automatyki, a w celu uniknięcia przypadkowych uruchomień systemu, nie należy pozostawiać pilota w zasięgu dzieci.
- Usterki w działaniu: Z chwilą zauważenia jakichkolwiek usterek w działaniu systemu automatyki, należy odłączyć go od zasilania elektrycznego i przeprowadzić odblokowanie ręczne. Nie należy dokonywać napraw na własną rękę, lecz poprosić o interwencję zaufanego instalatora: w międzyczasie instalacja może funkcjonować jako urządzenie niezautomatyzowane, po uprzednim odblokowaniu motoreduktora za pomocą specjalnego klucza znajdującego się w zestawie.
- W przypadku uszkodzeń lub braku zasilania: W oczekiwaniu na interwencję Państwa instalatora lub na powrót energii elektrycznej, jeśli instalacja nie jest wyposażona w baterię rezerwową, system automatyki może zostać uruchomiony jako urządzenie niezautomatyzowane. W tym celu należy przeprowadzić odblokowanie ręczne (rys.2).

Odblokowanie i przesuw ręczny: przed wykonaniem tej czynności, należy zwrócić uwagę na fakt, iż odblokowanie może mieć miejsce tylko wtedy, gdy skrzydło jest nieruchome (rys.2).

- Konserwacja: Jak każde urządzenie, Państwa system automatyki wymaga konserwacji okresowej, celem jak najdłuższego działania w warunkach całkowitego bezpieczeństwa. Należy ustalić z instalatorem plan konserwacji okresowej; Marantec zaleca interwencję co 6 miesięcy przy zwykłym, domowym użytkowaniu systemu, ale częstotliwość ta może zmieniać się ze względu na intensywność użytkowania. Każda praca kontrolna, konserwacyjna czy naprawcza może być wykonywana wyłącznie przez wykwalifikowanego technika.

UWAGA !

A limpeza e a manutenção não devem ser feitas por crianças sem supervisão.

- Nie wolno wprowadzać zmian do instalacji i parametrów oprogramowania oraz regulacji systemu automatyki: za to odpowiedzialny jest Państwa instalator.

- Próba techniczna, okresowe prace konserwacyjne i ewentualne naprawy muszą zostać udokumentowane przez osobę, która je przeprowadza, a dokumenty muszą być przechowywane przez właściciela instalacji.

Jedynie czynności, jakich przeprowadzanie Państwu zalecamy to okresowe czyszczenie szybek fotokomórek oraz usuwanie ewentualnych liści czy kamyków, które mogłyby przeszkadzać w prawidłowym funkcjonowaniu systemu automatyki. Aby nie dopuścić do przypadkowego uruchomienia bramy lub drzwi, przed rozpoczęciem tych prac należy odblokować system automatyki; do czyszczenia należy użyć lekko wilgotnej szmatki.

- Usuwanie: Po zakończeniu okresu żywotności systemu automatyki, należy upewnić się, że demontaż produktu został przeprowadzony przez wykwalifikowany personel i że materiały zostały podane recyklingowi lub zostały usunięte zgodnie z obowiązującymi przepisami lokalnymi.

- Uruchomić sterowanie bramy lub drzwi (za pomocą pilota, przełącznika kluczykowego, itd.); jeśli wszystko działa prawidłowo, brama lub drzwi będą się normalnie otwierać i zamykać; w przeciwnym przypadku lampa ostrzegawcza będzie migać, a manewr nie zostanie wykonany.

Przy niesprawnych zabezpieczeniach konieczne jest jak najszybsze naprawienie systemu automatyki.

Wymiana baterii w pilocie: jeżeli pilot po jakimś czasie gorzej pracuje lub wcale nie działa, może być to spowodowane wyczerpaniem się baterii (w zależności od intensywności użytkowania, żywotność baterii wynosi od kilku miesięcy do ponad roku). Potwierdza to fakt, że kontrolka potwierdzająca nadanie sygnału nie włącza się lub włącza się tylko na chwilę.

Baterie zawierają substancje niebezpieczne: nie wolno wyrzucać baterii wraz ze zwykłymi odpadami; należy je usuwać zgodnie z metodami przewidzianymi przez przepisy lokalne.

Dziękujemy Państwu za wybranie Marantec. Dalsze informacje znajdą Państwo na naszej stronie internetowej www.marantec.com.

UWAGA !

Na stronie internetowej www.marantec.com dostępne są do pobrania najnowsze wersje instrukcji obsługi. Prosimy o sprawdzenie pod kątem ew. uaktualnień.

6 - IMAGES

Fig. 1 IT - Dimensioni d'ingombro

EN - Space dimensions

FR - Dimensions d'encombrement

ES - Dimensiones

DE - Abmessungen

PT - Dimensões globais

PL - Wymiary

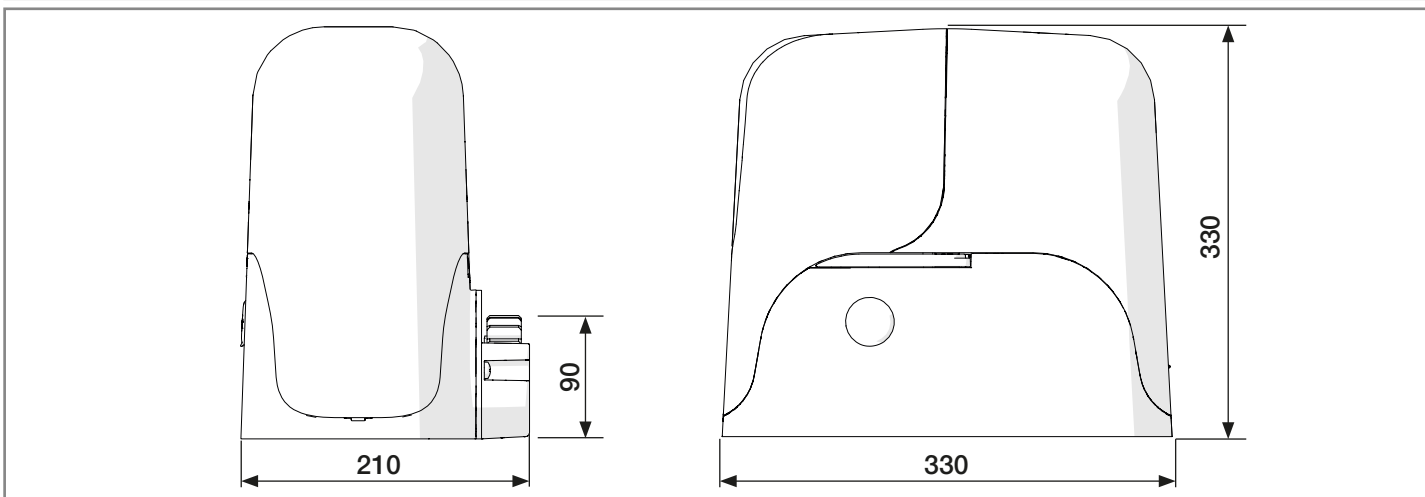


Fig. 2 IT - Installazione tipica

EN - Typical Installation

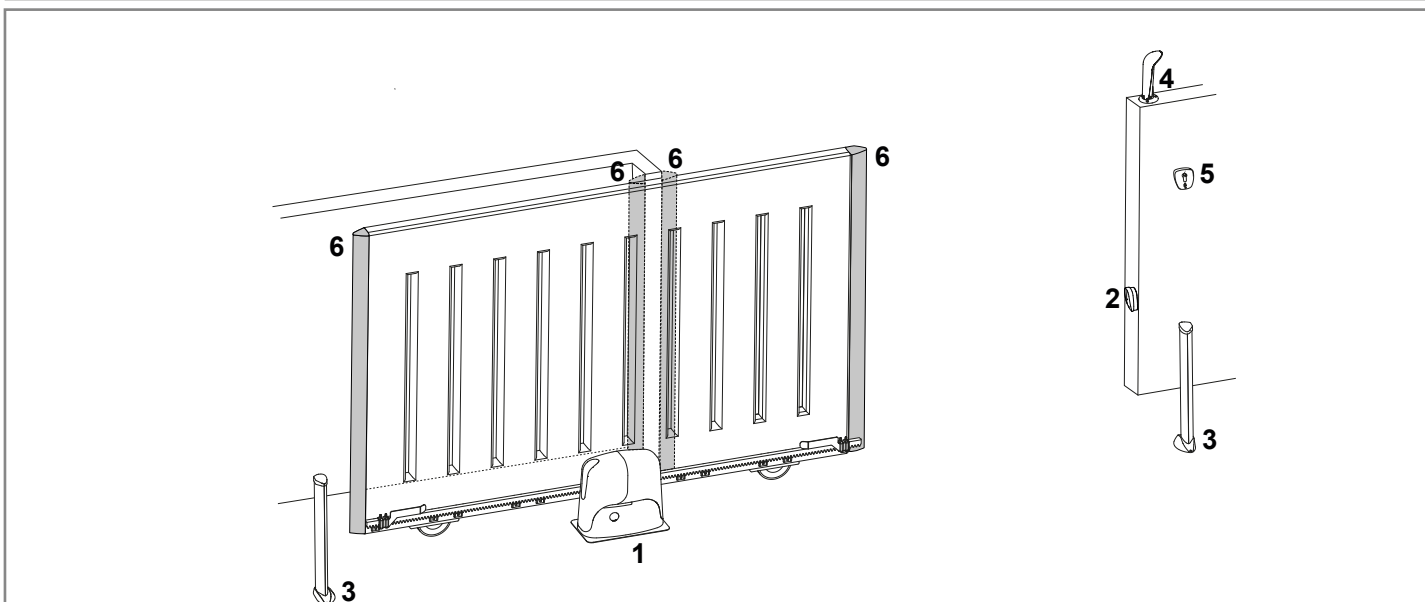
FR - Installation type

ES - Instalación típica

DE - Typische Installation

PT - Instalação típica

PL - Typowy sposób instalacji



SU500F

ATTENZIONE: porre molta attenzione considerando l'elevata velocità del cancello al fine di ottenere un livello di sicurezza alto come indicato in figura. Con la centrale CBX10224 è possibile programmare separatamente la velocità di apertura e chiusura del motoriduttore.

CAUTION: take great care in consideration of the high speed of the gate, in order to ensure a high level of safety as indicated in the figure. Control unit CBX10224 enables separate programming of the gearmotor opening and closing speed.

ATTENTION : compte tenu de la vitesse élevée du portail, être très vigilant afin de garantir un niveau de sécurité optimal, en suivant les indications fournies par la figure. La logique de commande CBX10224 permet de programmer séparément la vitesse d'ouverture et de fermeture du motoréducteur.

ATENCIÓN: considerando la elevada velocidad de la puerta, ponga mucha atención para lograr un nivel de seguridad alto como indicado en la figura. Con la central CBX10224 es posible programar por separado la velocidad de apertura y de cierre del motorreductor.

ACHTUNG: Angesichts der hohen Torgeschwindigkeit sehr vorsichtig sein, um einen hohen Sicherheitsgrad zu gewährleisten, wie auf der Abbildung angegeben. Mit der Steuereinheit CBX10224 besteht die Möglichkeit, am Getriebemotor die Öffnungs- und Schließgeschwindigkeit getrennt zu programmieren.

ATENÇÃO: prestar a maior atenção considerando a alta velocidade do portão a fim de obter um nível de segurança alto conforme indicado na figura. Com a unidade CBX10224 é possível programar separadamente a velocidade de abertura e de fecho do motorreductor.

UWAGA: zwrócić szczególną uwagę, mając na względzie znaczną prędkość pracy bramy, na zapewnienie wysokiego stopnia bezpieczeństwa, jak to zostało przedstawione na rysunku. Za pomocą centrali CBX10224 można oddzielnie zaprogramować prędkość otwierania i zamykania motoreduktora.

Fig. 3 IT - Piastra di fissaggio
EN - Foundation box
FR - Plaque de fondation
ES - Caja de cimentación

DE - Stiftung Feld
PT - Placa de fundação
PL - Fundacja skrzynki

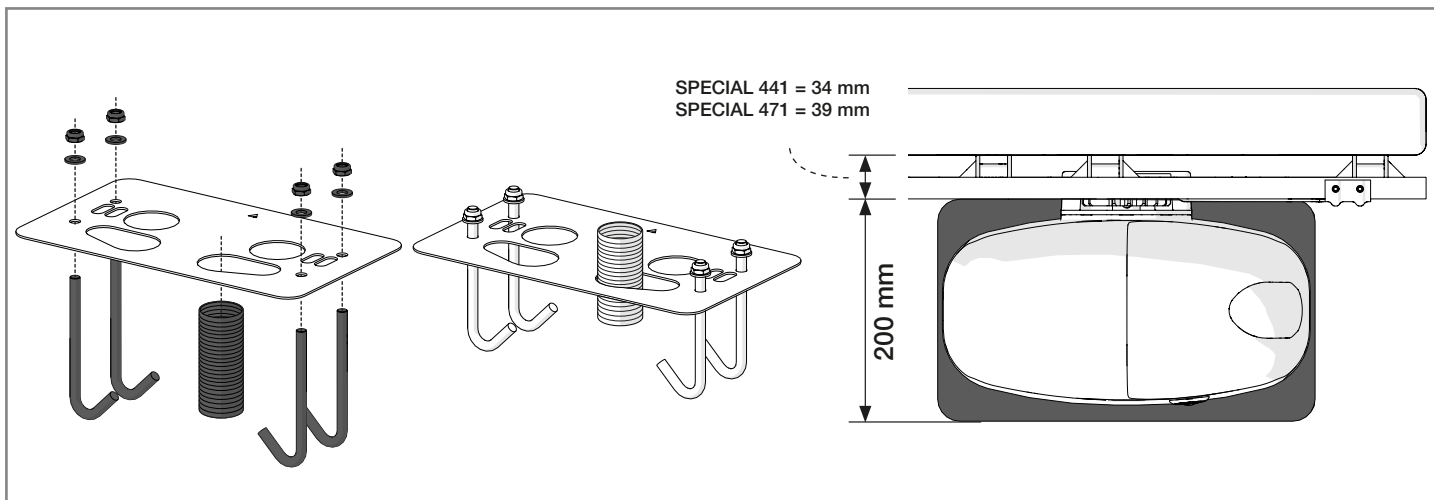


Fig. 4 IT - Sblocco del motoriduttore
EN - Gearmotor release
FR - Déblocage du motoréducteur
ES - Desbloqueo del motorreductor

DE - Entriegeln des Getriebemotors
PT - Desbloqueio do motorreductor
PL - Odblokowanie motoreduktora

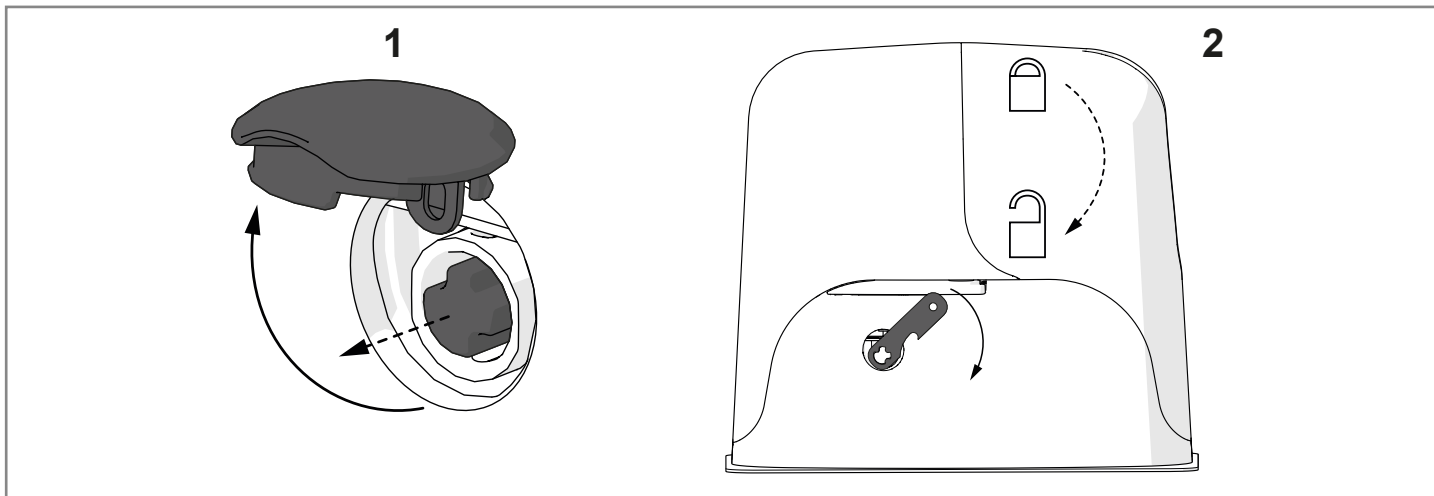


Fig. 5 IT - Sblocco del motoriduttore
EN - Gearmotor release
FR - Déblocage du motoréducteur
ES - Desbloqueo del motorreductor

DE - Entriegeln des Getriebemotors
PT - Desbloqueio do motorreductor
PL - Odblokowanie motoreduktora

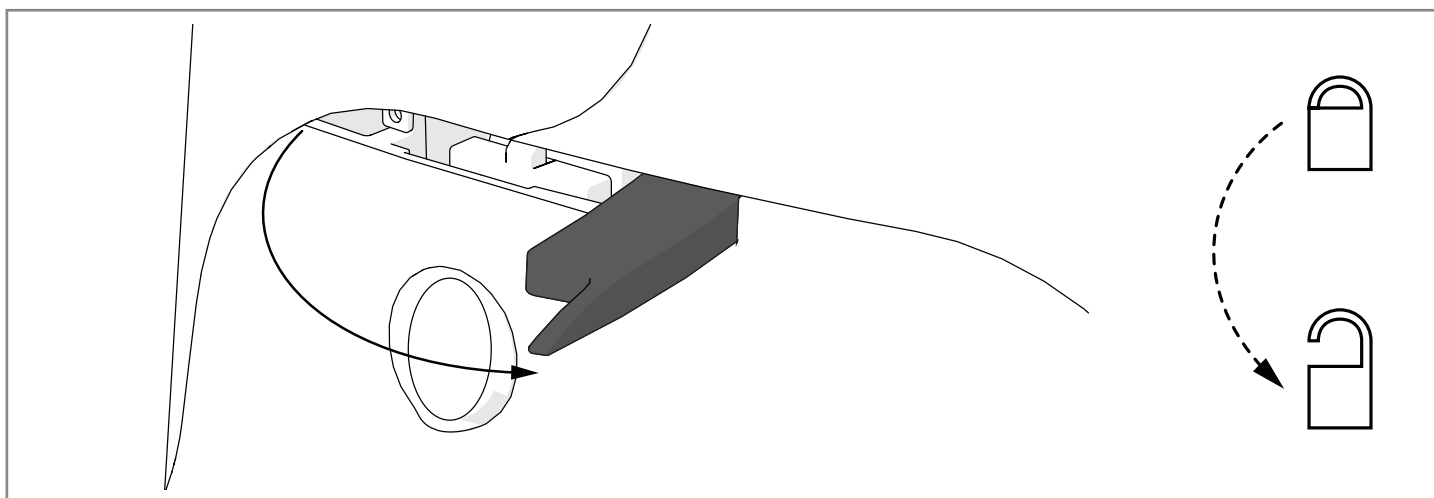


Fig. 6 IT - Apertura del coperchio
 EN - Opening the cover
 FR - Ouverture du couvercle
 ES - Apertura de la tapa

DE - Öffnung des Deckels
 PT - Abertura da tampa
 PL - Otwieranie pokrywy

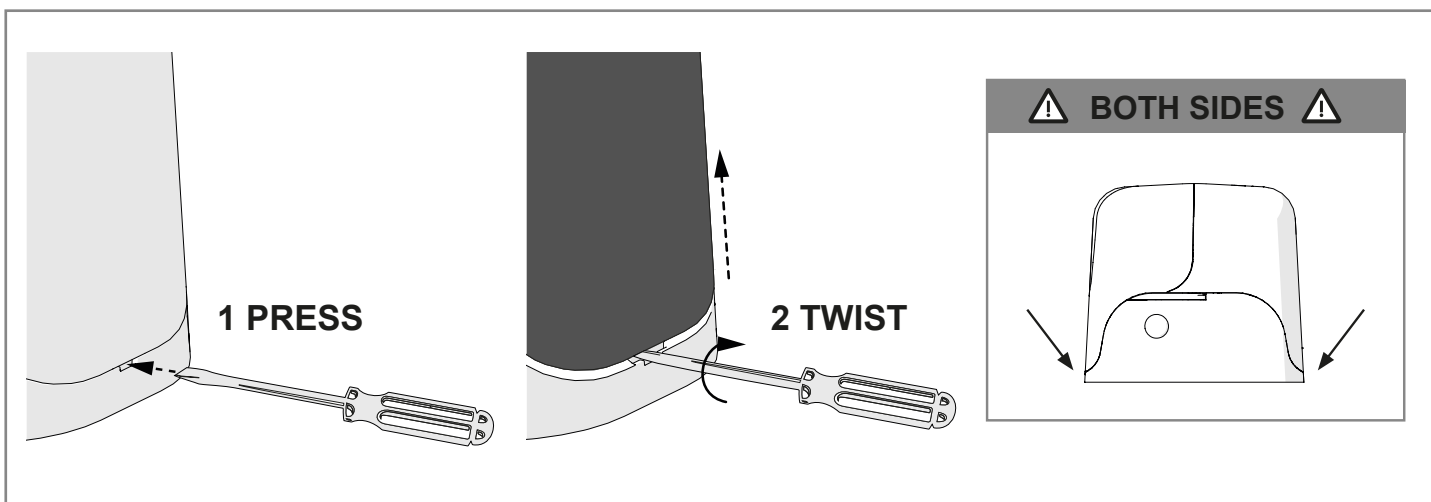


Fig. 8 IT - Fissaggio della piastra
 EN - Installing the foundation box
 FR - Fixation de la plaque de fondation
 ES - Instalación de la caja de cimentación

DE - Entriegeln des Getriebemotors
 PT - Instalando a caixa de fundação
 PL - Montaż skrzynki fundamentowej

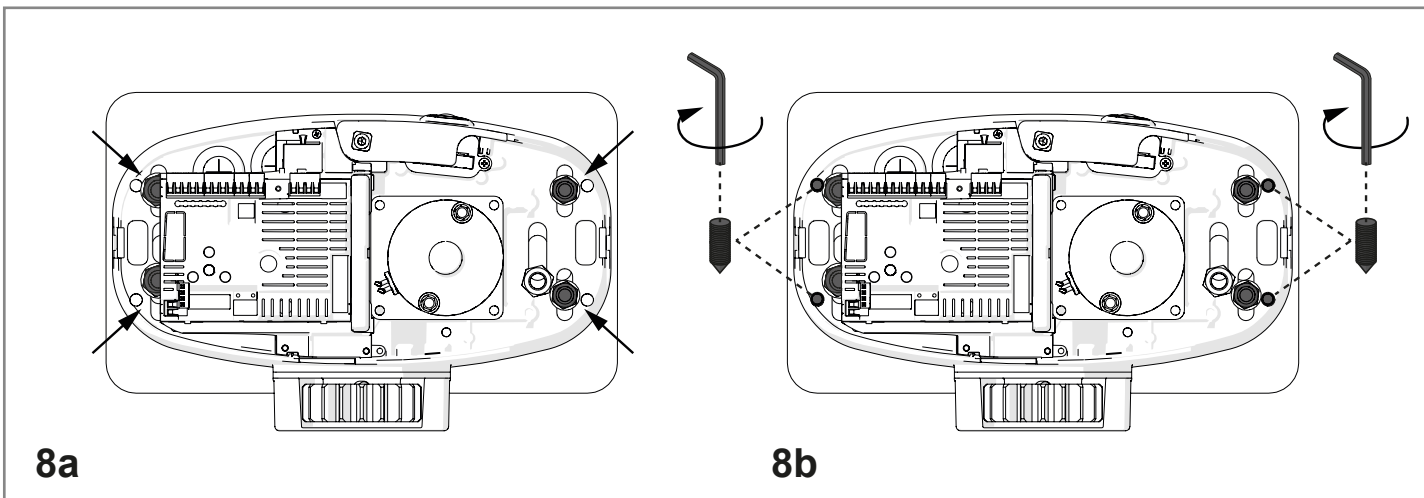


Fig. 9 IT - Chiusura del coperchio
 EN - Closing the cover
 FR - Fermeture du couvercle
 ES - Cierre de la tapa

DE - Schließung des Deckels
 PT - Fecho da tampa
 PL - Zamykanie pokrywy

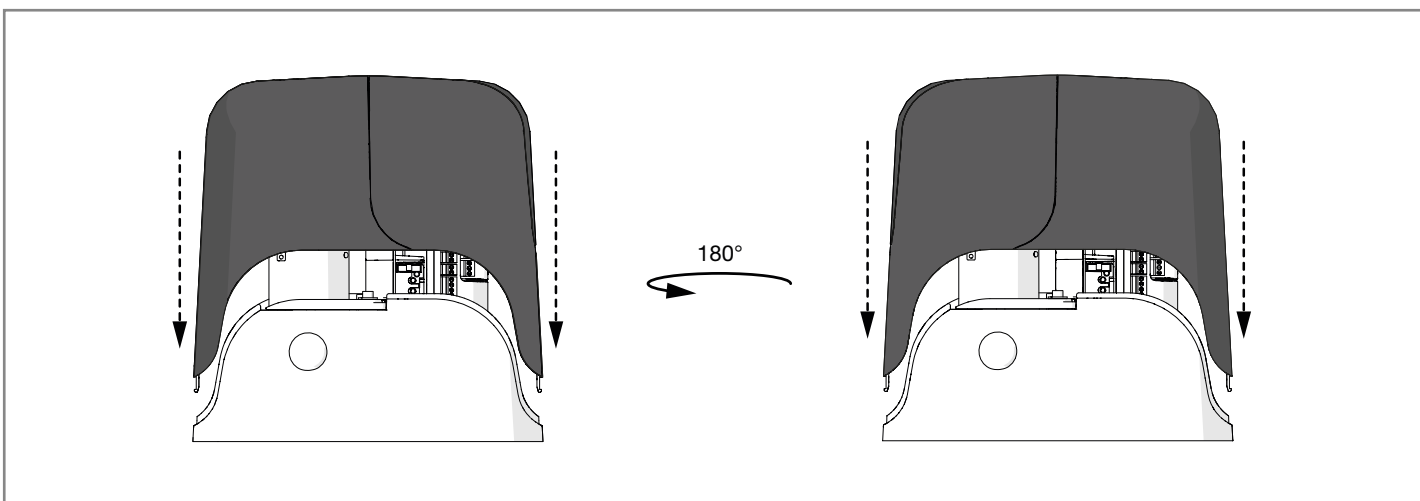


Fig. 10 IT - Fissaggio cremagliera
 EN - Rack assembling
 FR - Pose de la crémaillère
 ES - Fijación de la cremallera

DE - Montage der Zahnstange
 PT - Fixação da cremalheira
 PL - Montowanie listwy

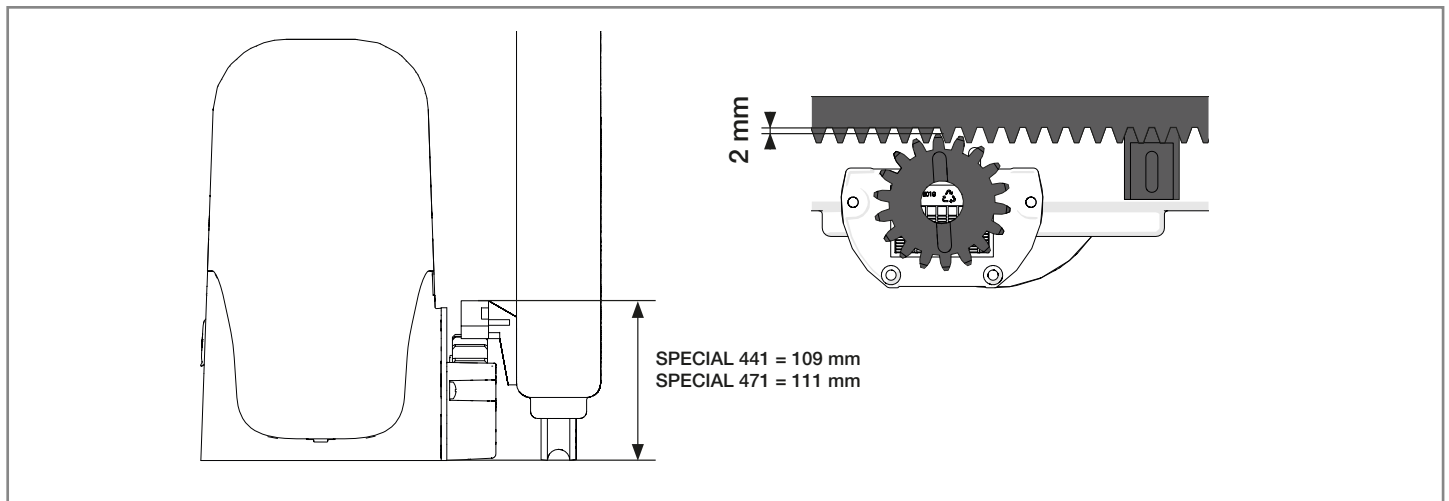
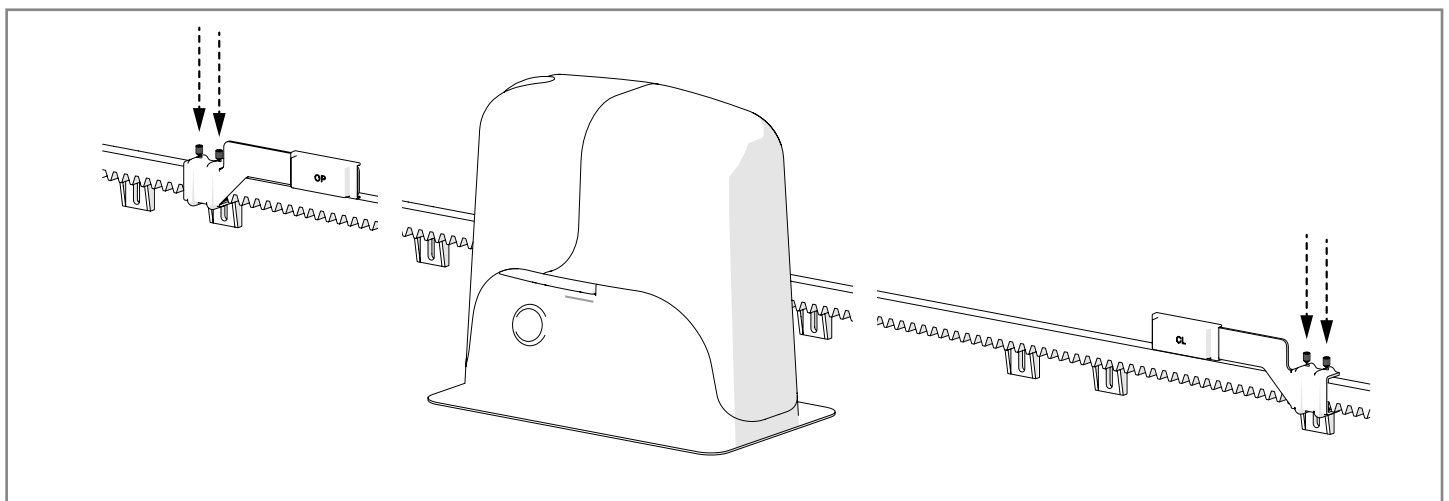


Fig. 11 IT - Fissaggio dei finecorsa
 EN - Limit switch fixing
 FR - Fixation des dispositifs de fin de course
 ES - Fijación del fin de carrera

DE - Befestigung der anschlage
 PT - Fixao dos fins de curso
 PL - Mocowanie wyłacznika krańcowego



DICHIARAZIONE DI INCORPORAZIONE DI QUASI-MACCHINA DECLARATION OF INCORPORATION OF PARTLY COMPLETED MACHINERY

Il sottoscritto Nicola Michelin, Amministratore Delegato dell'azienda
The undersigned Nicola Michelin, General Manager of the company

Key Automation S.r.l., Via Meucci, 23 - 30027 San Donà di Piave (VE) – ITALIA

dichiara che il prodotto tipo:
declares that the product type:

COMFORT SU

Motoriduttore elettromeccanico irreversibile per cancelli scorrevoli da 500kg a 1100kg
Electromechanical irreversible gear motor for sliding gates from 500kg to 1100kg

Models:
Models:

SU500F, SU700M, SU1100M

E' conforme a quanto previsto dalle seguenti direttive comunitarie:
Is in conformity with the following community (EC) regulations:

Direttiva macchine / *Machinery Directive 2006/42/EC*
Direttiva compatibilità elettromagnetica / *EMC Directive 2014/30/EU*
Direttiva bassa tensione / *Low voltage Directive 2014/35/EU*
Direttiva radiofrequenza / *RED Directive 2014/53/EU*
Direttiva RoHS / *RoHS Directive 2011/65/UE*

Secondo quanto previsto dalle seguenti norme armonizzate:
In accordance with the following harmonized standards regulations:

ETSI EN 301489-3:2013, ETSI EN 301489-1:2011
EN 60950-1:2006 + A11:2009 + A1:2010 + A12:2011 + A2:2013
EN 61000-3-2:2014, EN 61000-3-3:2013
EN 61000-6-2:2005, EN 61000-6-3:2007
EN 60335-1:2012 + A1 + A11; EN 60335-2-103:2015
EN 55014-1:2006 + A1 + A2; EN 55014-2:2015
EN 62233:2008

Dichiara che la documentazione tecnica pertinente al prodotto è stata redatta conformemente a quanto previsto dalla direttiva 2006/42/CE Allegato VII parte B e verrà fornita a fronte di una richiesta adeguatamente motivata dalle autorità nazionali.

Declares that the technical documentation is compiled in accordance with the directive 2006/42/EC Annex VII part B and will be transmitted in response to a reasoned request by the national authorities.

Dichiara altresì che non è consentita la messa in servizio del prodotto finché la macchina, in cui il prodotto è incorporato, non sia stata dichiarata conforme alla direttiva 2006/42/CE.

He also declares that is not allowed to use the above mentioned product until the machine, in which this product is incorporated, has been identified and declared in conformity with the regulation 2006/42/EC.

San Donà di Piave (VE), 21/02/17

Amministratore Delegato
General Manager
Nicola Michelin



Key Automation S.r.l.
Via Meucci, 23
30027 San Donà di Piave (VE)
P.IVA 03627650264 C.F. 03627650264
info@keyautomation.it

Capitale sociale 154.000,00 i.v.
Reg. Imprese di Venezia 03627650264
REA VE 326953
www.keyautomation.it



Organizzazione con sistema di gestione certificato
ISO 9001:2008

NOTE

