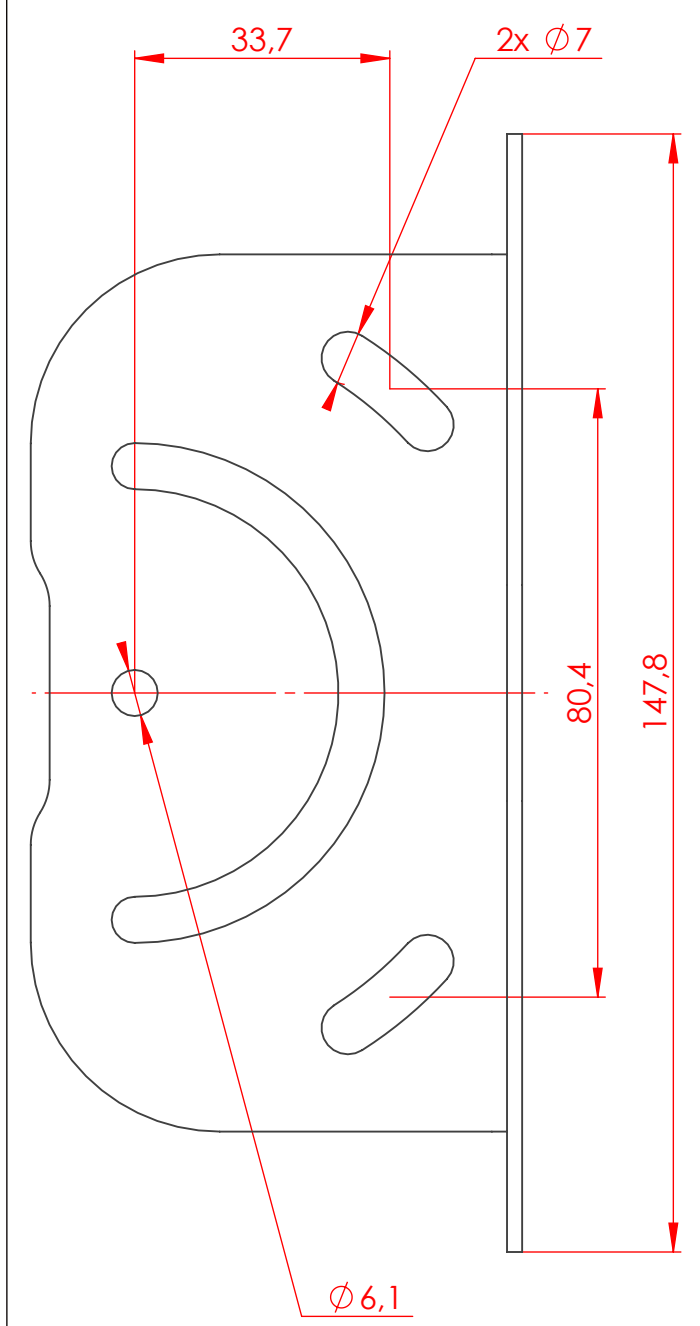
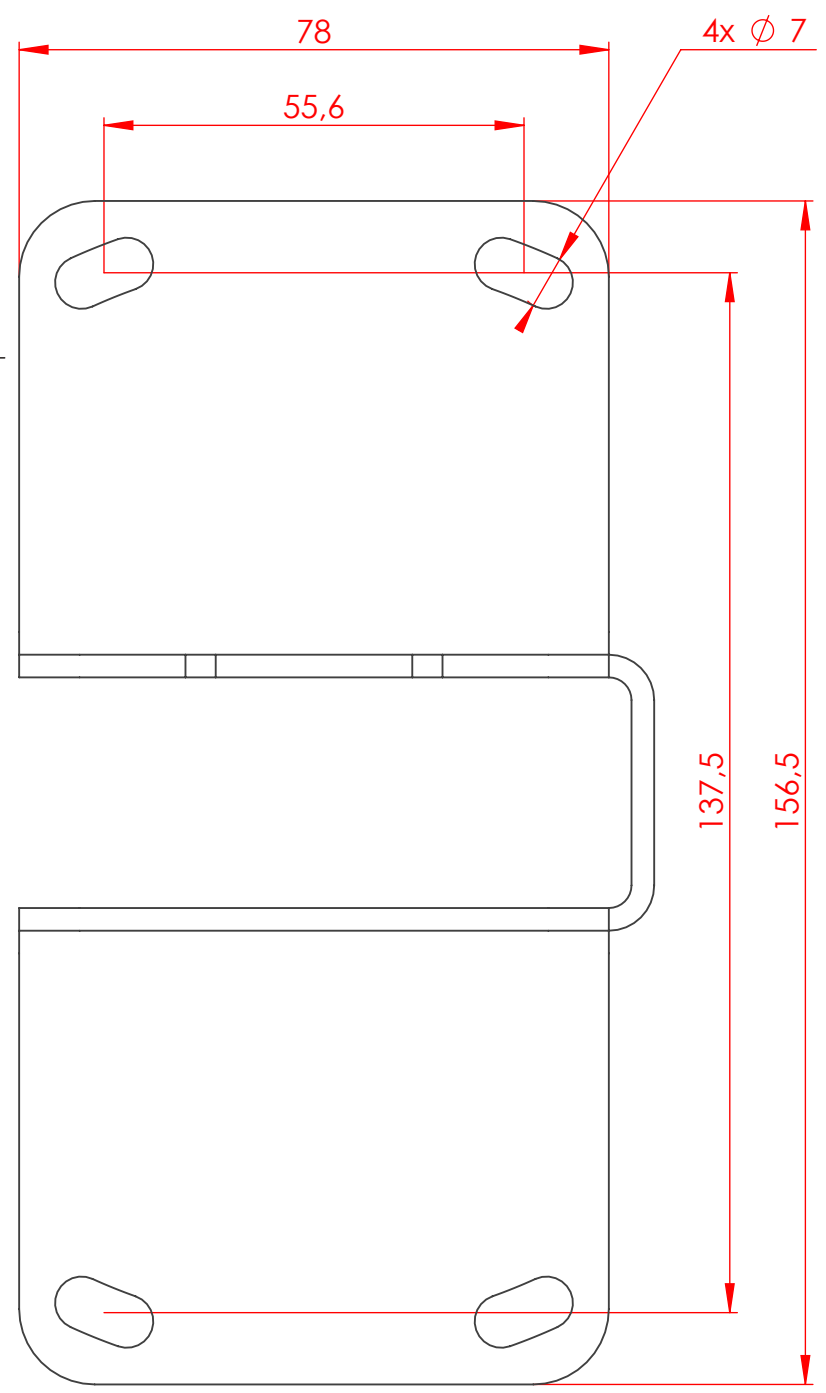


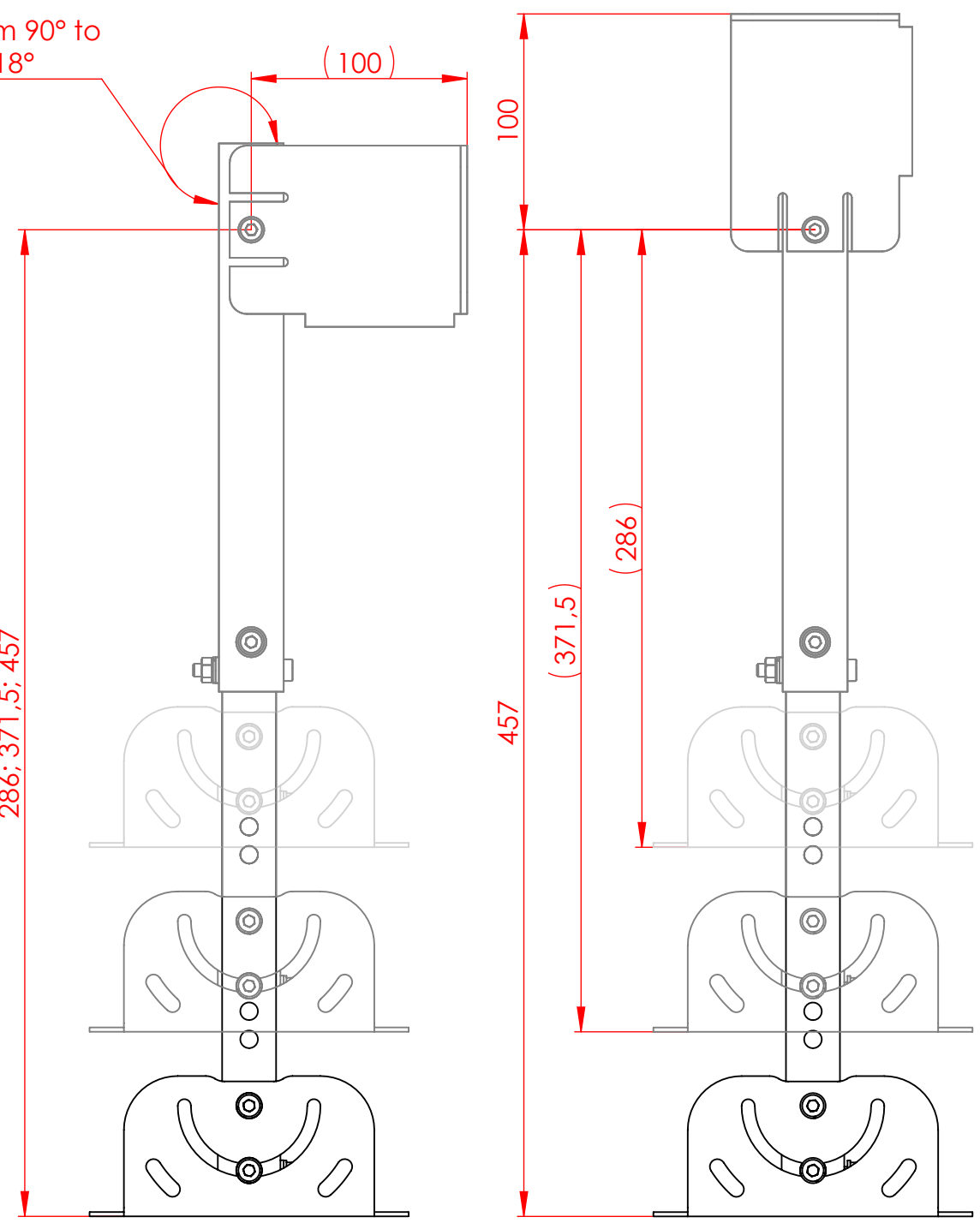
Can be adjusted from 90° to 270° by step of 18°

Mounting template
scale 1:1

Mounting template
scale 1:1



Can be fixed at
286; 371.5; 457



Part Volume : 258689.59 mm³ - Part Weight : 1923.73 gr

THIS DRAWING IS THE PROPERTY OF BEA AND MAY NOT BE REPRODUCED WITHOUT WRITTEN AGREEMENT

MODIFICATIONS LIST

Date:	By:	Description:	Ver:	Rev:



Project Number : E402 - Widescan Accessories		DRAWER : BLE	
Description : Assy - Telescopic bracket - Dimensions		DATE : 2018-02-07	
GENERAL TOLERANCE : -		VERIFIED	APPROVED
MATERIAL : -	TREATMENT : -		
Part Number	Version	Type	Revision
48.0654.A.PM.01			
Scale	Size		
1:3	A3		