

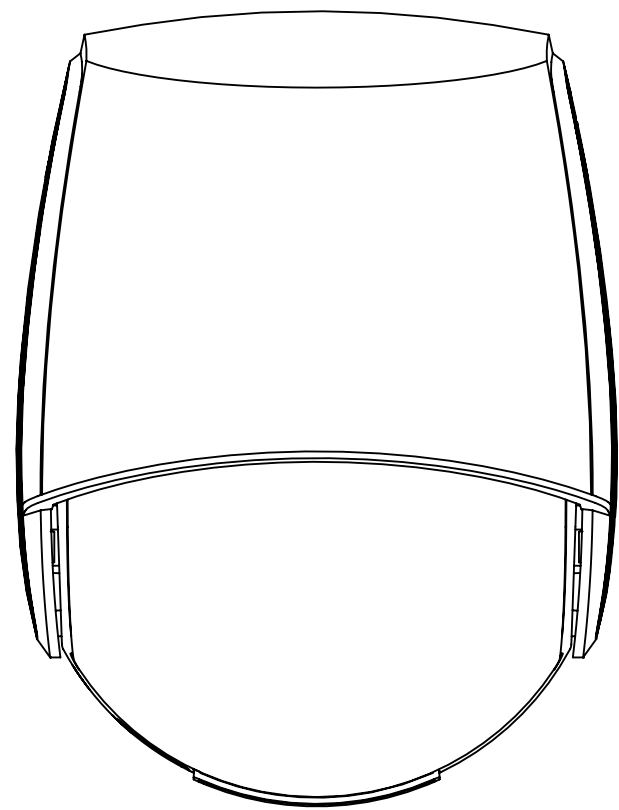
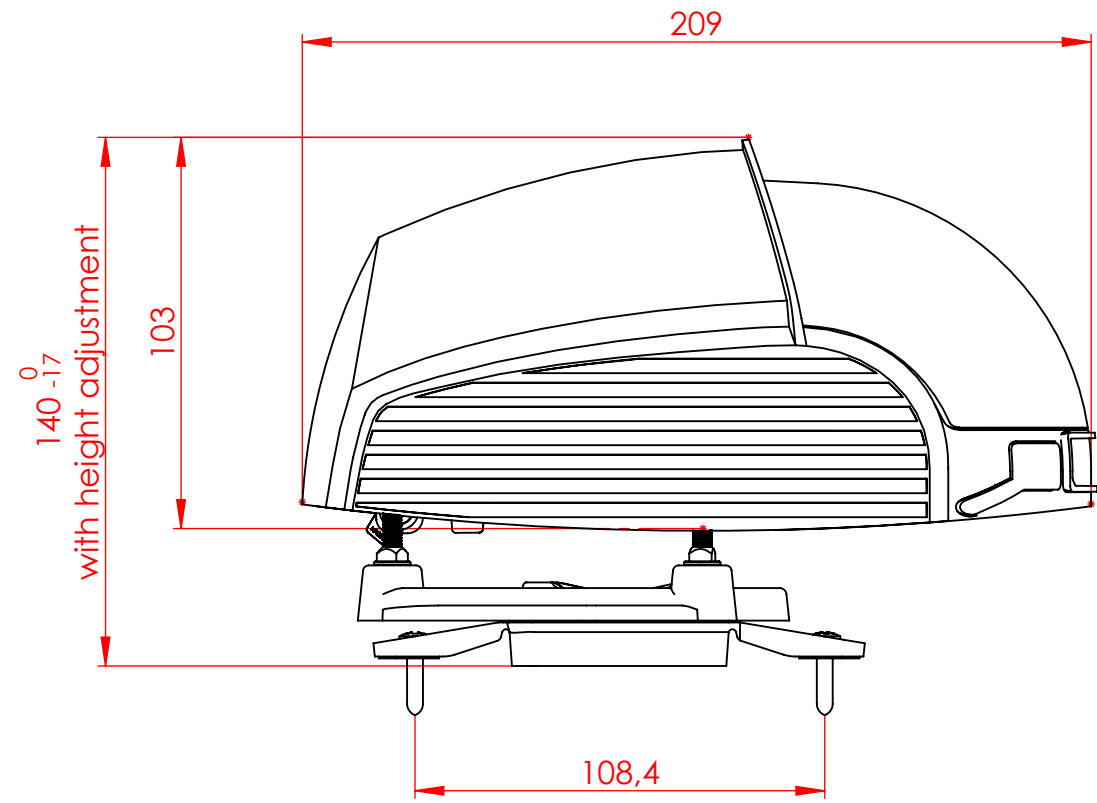
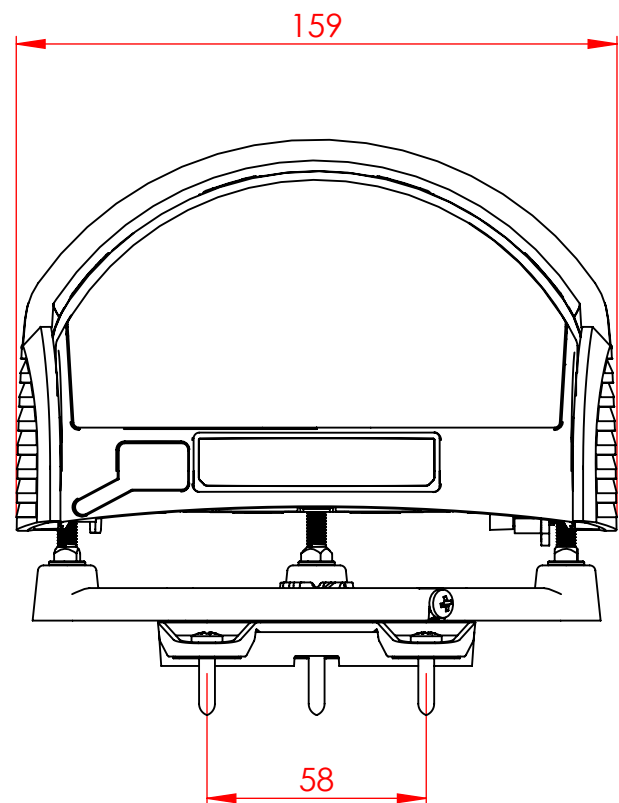
H G F E D C B A

4

3

2

1



4

3


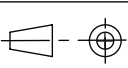
2

1

H G F E D C B A

THIS DRAWING IS THE PROPERTY OF BEA AND MAY NOT BE REPRODUCED WITHOUT WRITTEN AGREEMENT

| MODIFICATIONS LIST |      |                         |       |       |  |
|--------------------|------|-------------------------|-------|-------|--|
| Date :             | By : | Description :           | Ver : | Rev : |  |
| 12/09/2023         | BLE  | Spider bracket rotation | 01    | 02    |  |
| X                  | X    | X                       | X     | X     |  |
| X                  | X    | X                       | X     | X     |  |
| X                  | X    | X                       | X     | X     |  |
| X                  | X    | X                       | X     | X     |  |

|  |  |      |                |       |                      |   |
|--|--|------|----------------|-------|----------------------|---|
| <br>A HALMA COMPANY<br>WWW.BEA.BE | <b>PROD. NAME : E282 - Widescan</b>                  |      |                |       | DRAWER : BLE         |   |
|  | <b>TITLE : Assy - Widescan - External dimensions</b> |      |                |       | DATE : 10/11/2015    |   |
|  | GENERAL TOLERANCE : -                                |      |                |       | VERIFIED    APPROVED |   |
|  | MATERIAL : -   |      | TREATEMENT : - |       |                      |   |
| Objet  | Ver.Obj  | Doc. | Rev.Doc.       | Scale | Size                 |   |
| 48.0175 . 01 . PM . 02   |  |      |                | 1:2   | A3                   |  |
| PAGE: 1 / 1  |  |      |                |       |                      |   |

PDM Project : E282 - Widescan - File Name : E282 - Assy - Widescan - External Dimensions