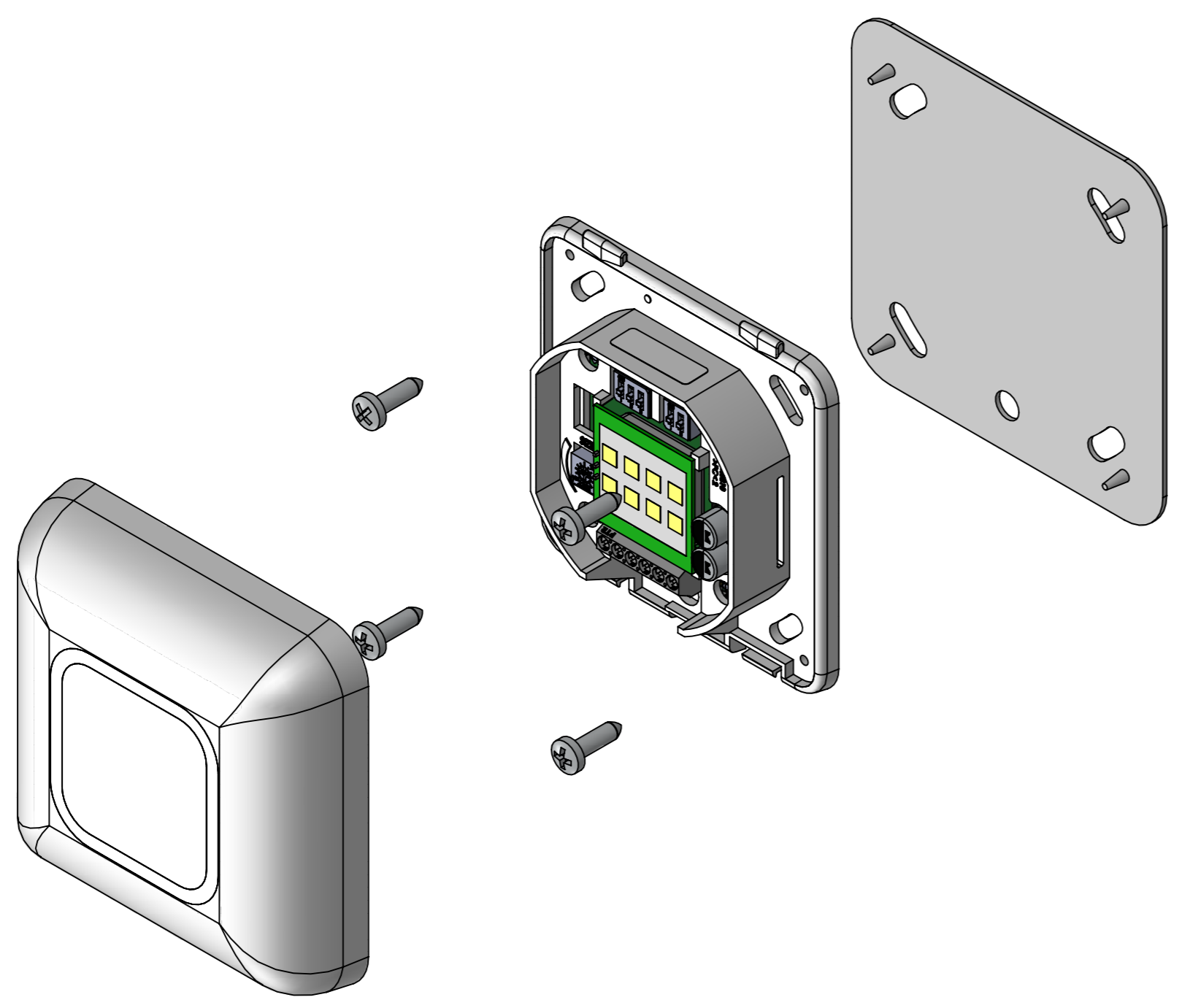
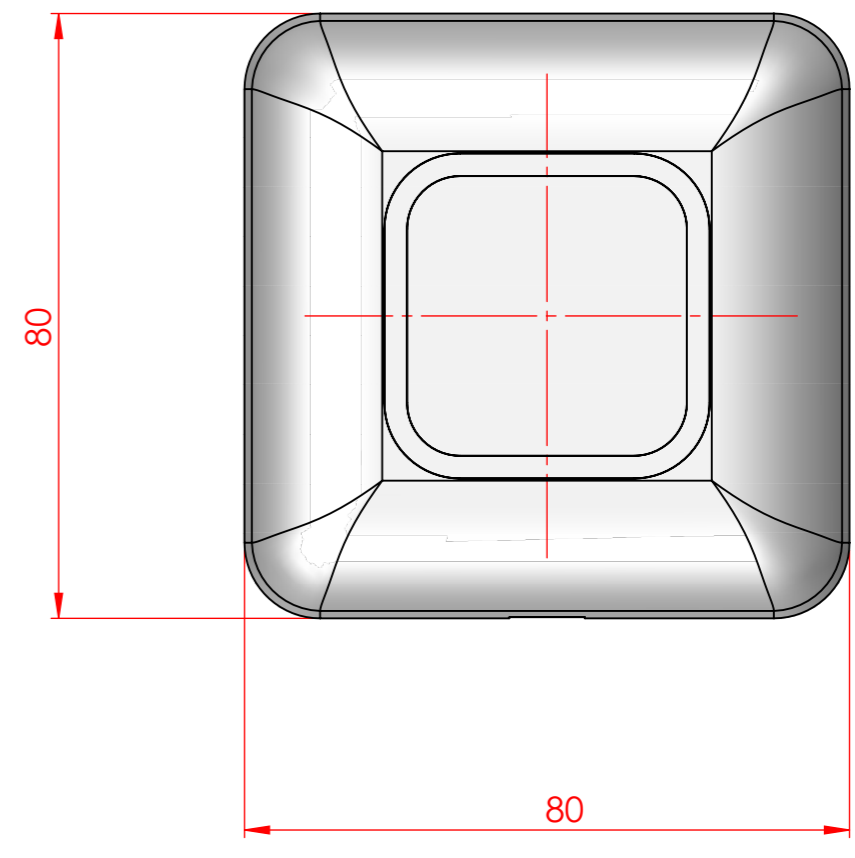
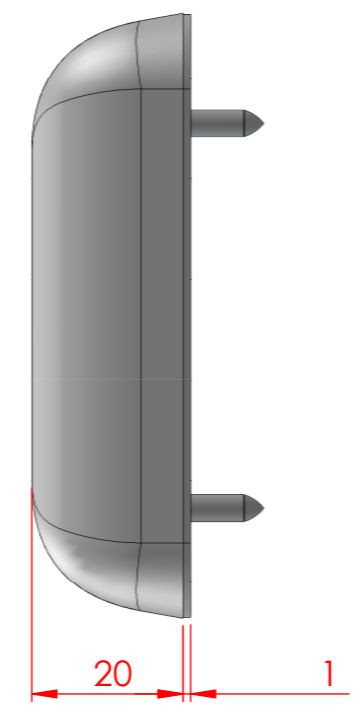
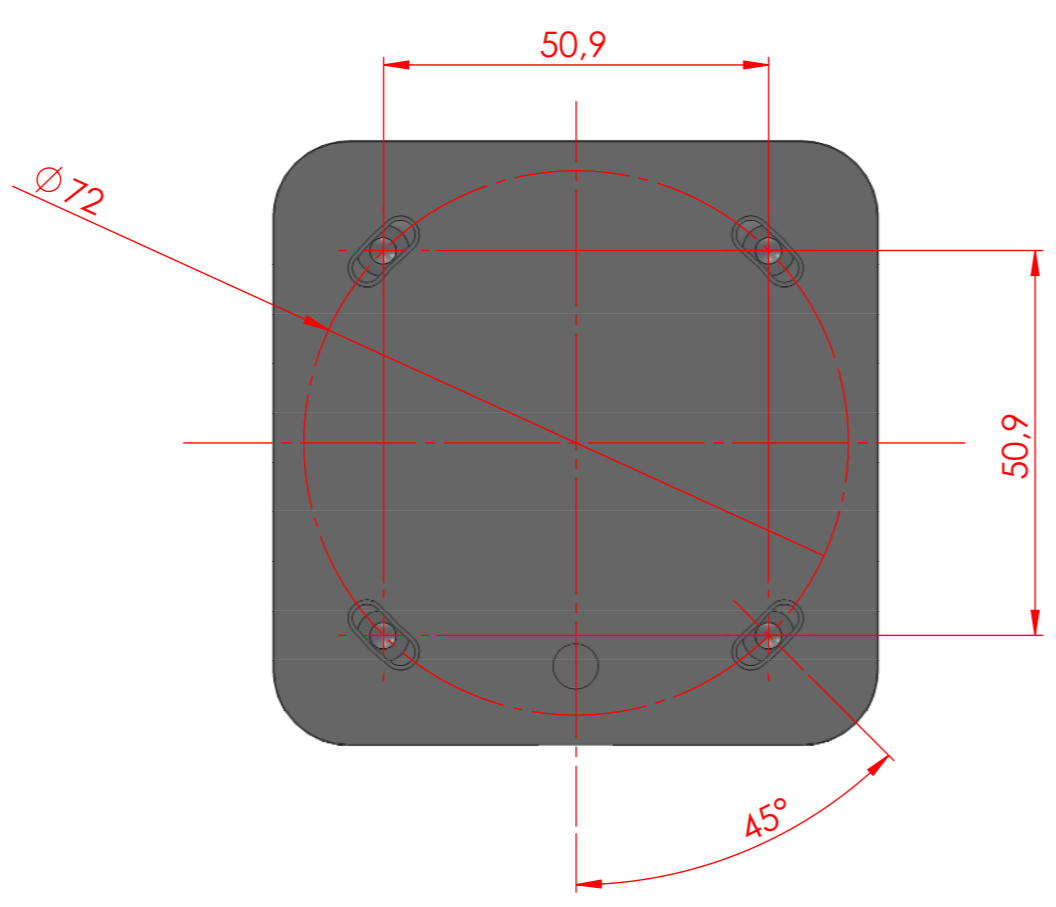


H G F E D C B A


8 7 6 5 4 3 2 1



Part Volume : mm³ - Part Weight : g

THIS DRAWING IS THE PROPERTY OF BEA AND MAY NOT BE REPRODUCED WITHOUT WRITTEN AGREEMENT

MODIFICATIONS LIST				
Date:	By:	Description:	Ver.:	Rev.:

 <p>A HALMA COMPANY WWW.BEA.BE</p>	Project Number : E396 MS-08 Redesign Premium Description : MAGIC SWITCH CHROMA STD & ADV Surface - External Dimensions GENERAL TOLERANCE : See note 1 MATERIAL : See note 2 TREATMENT : -	DRAWER : PR DATE : 2020/08/17 VERIFIED APPROVED
	Part Number Version Type Revision Scale Size 48.1157 . A . PA . 01 1:1 A2	PAGE: 1 / 1

H G F E D C B A