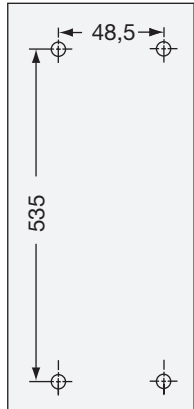
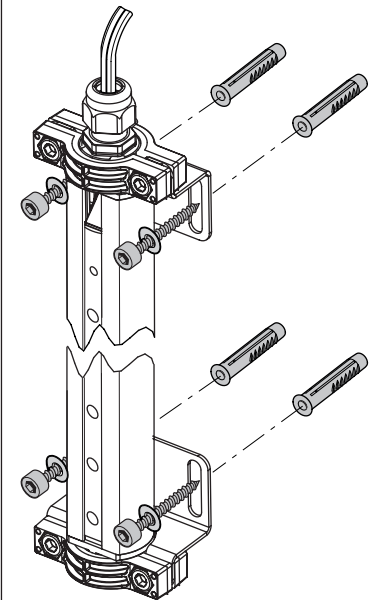
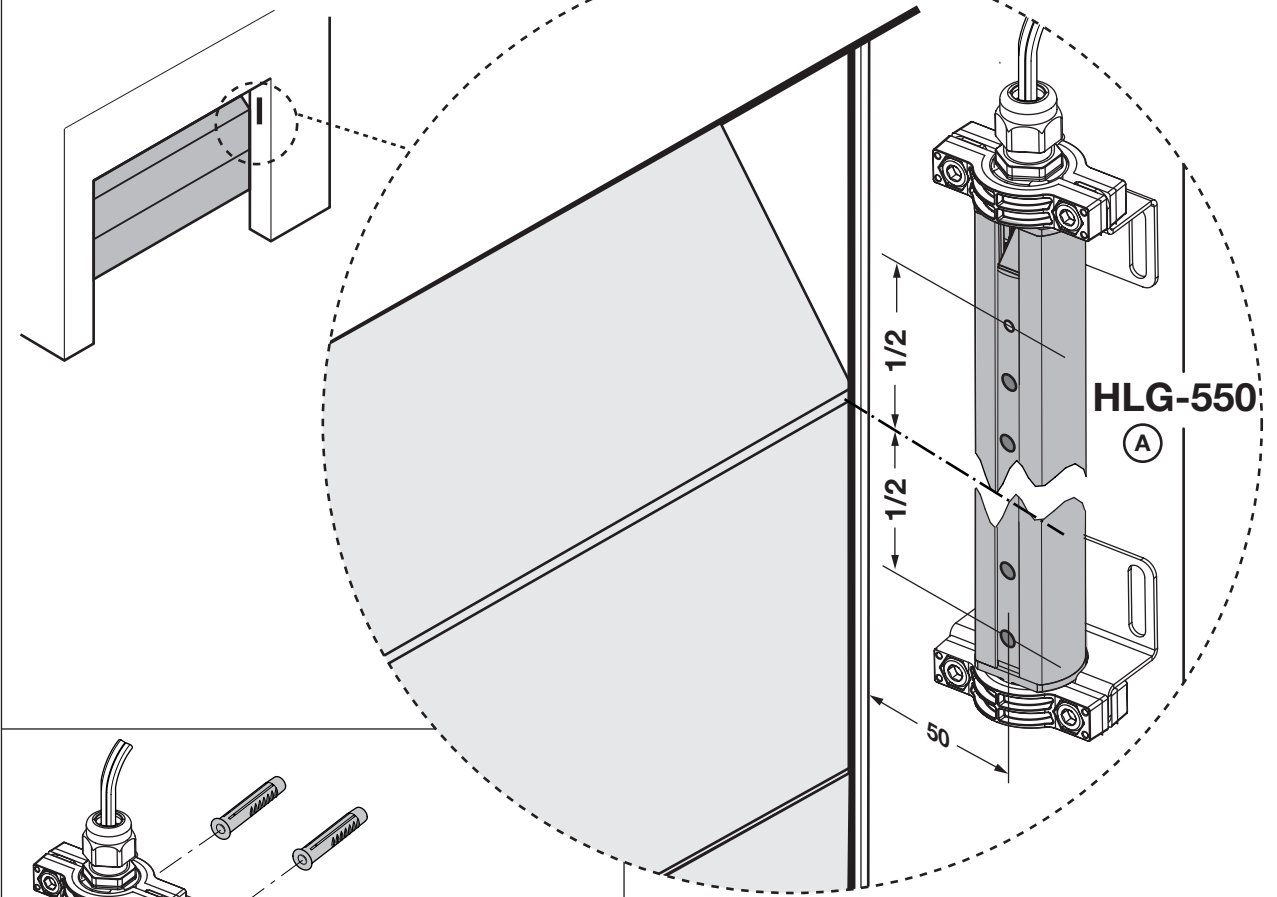
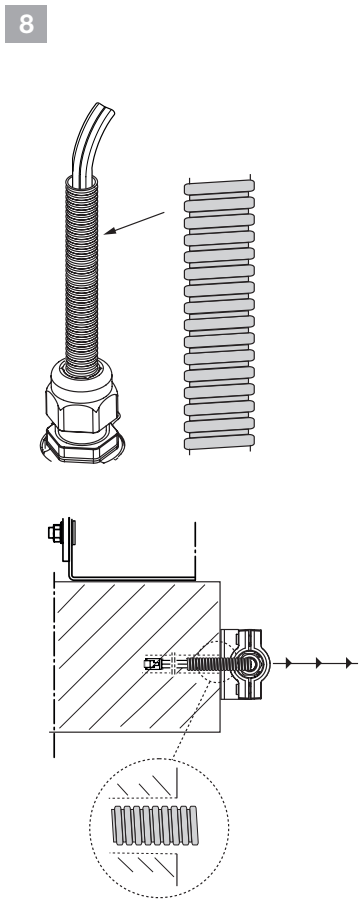
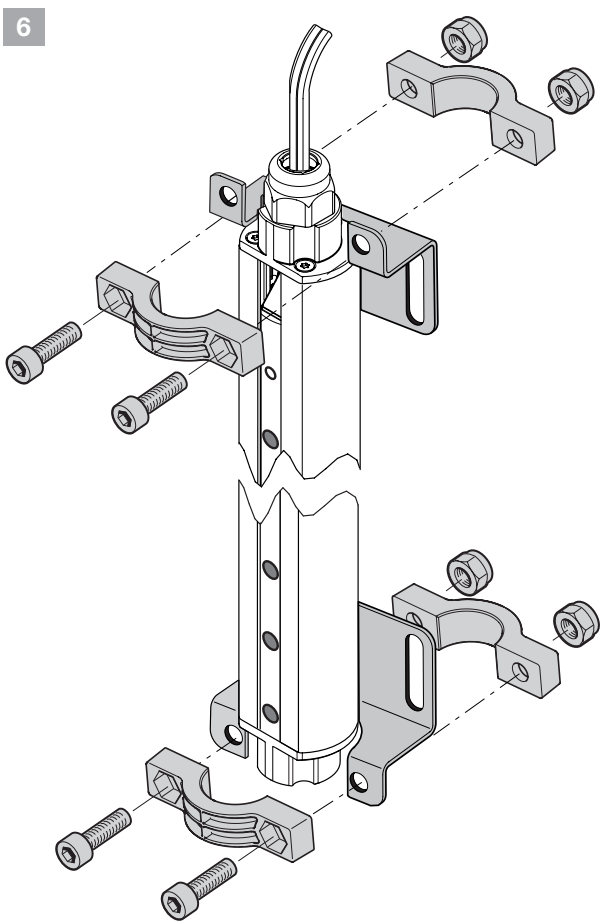
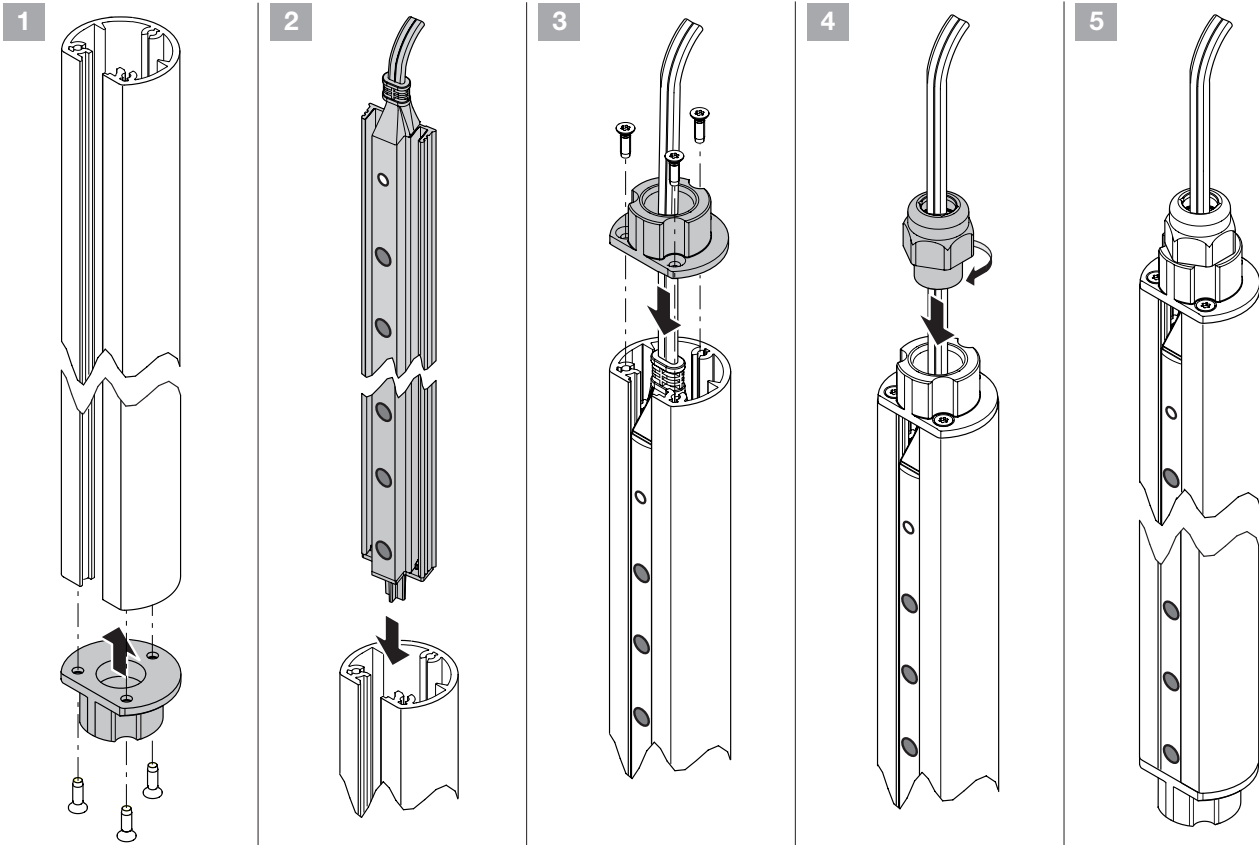


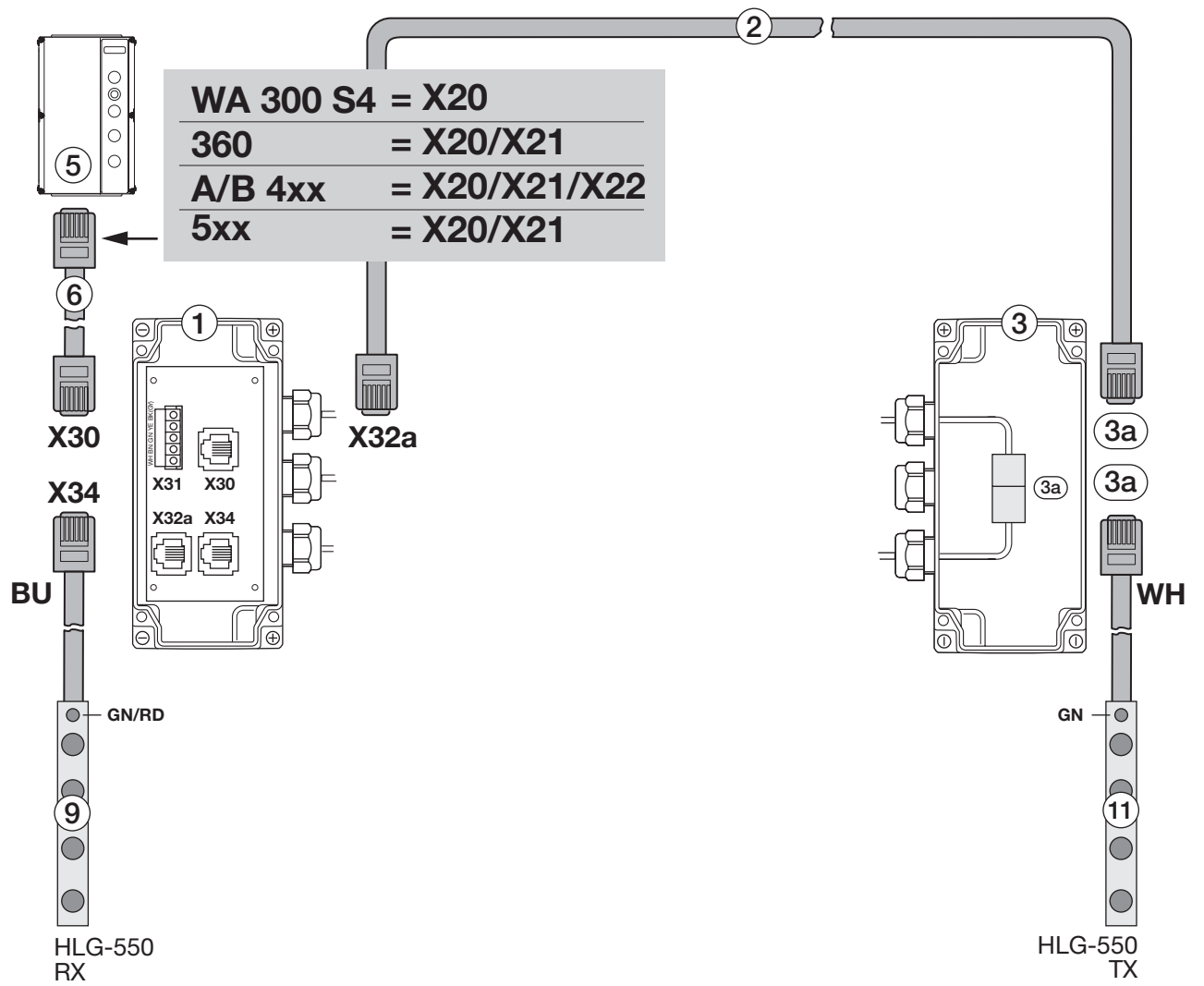
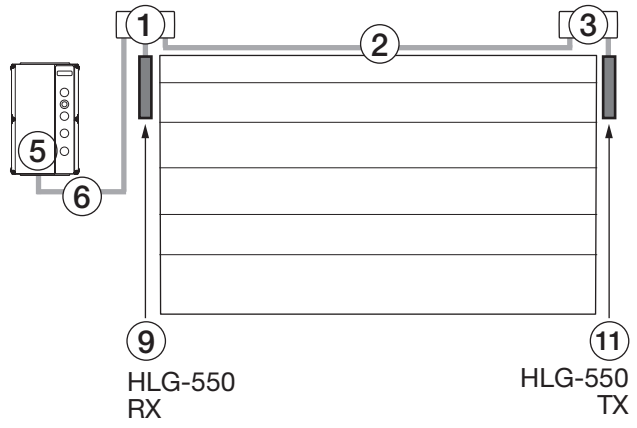
HLG-550



HLG-550

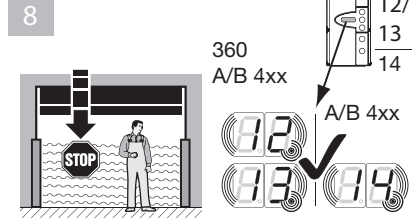
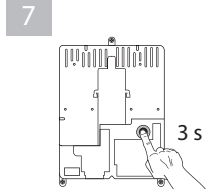
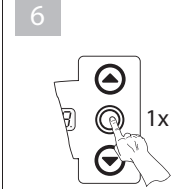
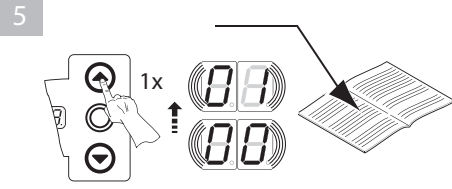
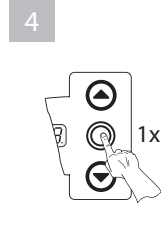
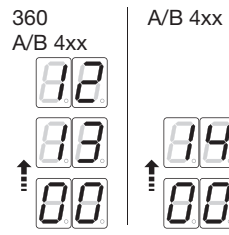
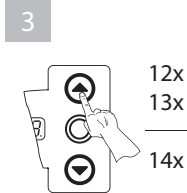
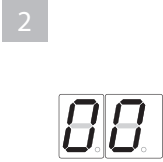
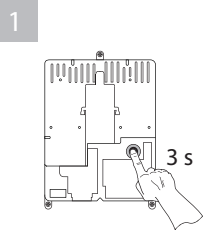
	VL1-LE	VL2-LE	HLG
<p> (A) HLG-550 (B) VL-LE (C) HLG </p>	<p>RX (BU) TX (WH)</p> <p>TX RX</p> <p><input checked="" type="checkbox"/></p> <p>VL1-LE (GY)</p>	<p>RX (BU) TX (WH)</p> <p>TX RX</p> <p><input checked="" type="checkbox"/></p> <p>GY</p>	<p>RX (BU) TX (WH)</p> <p>TX (WH) RX (BU)</p> <p><input checked="" type="checkbox"/></p>



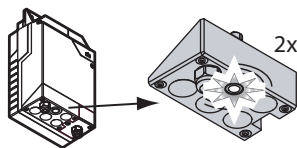
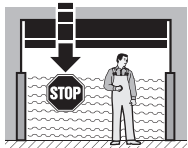


HLG-550

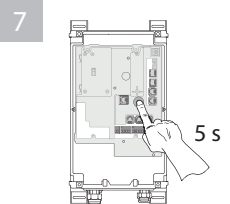
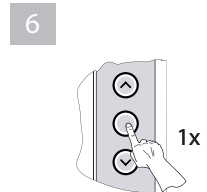
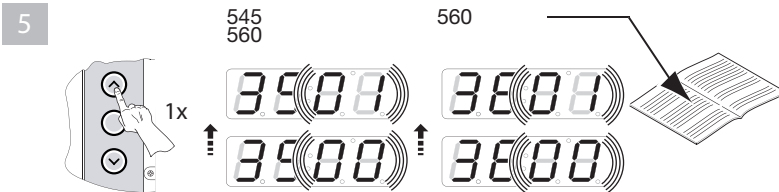
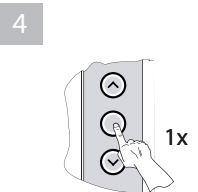
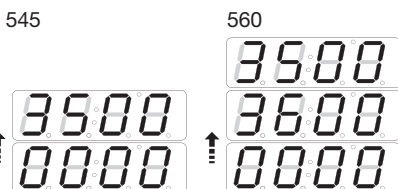
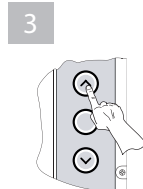
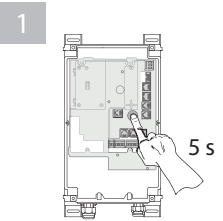
**360
A/B 4xx**



WA 300 S4



**A 545
560**



B

