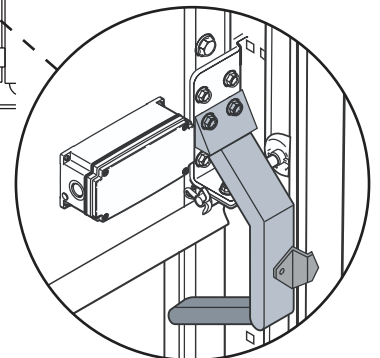
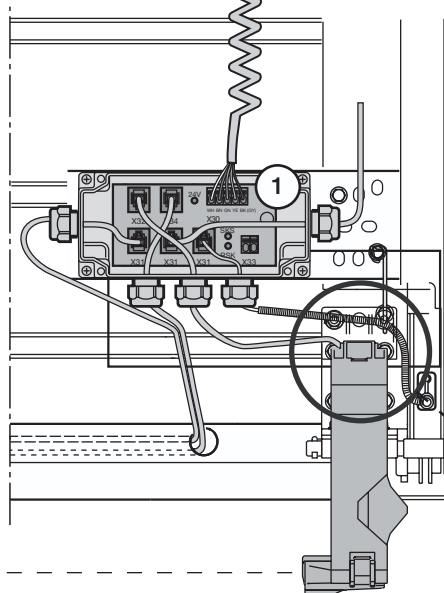
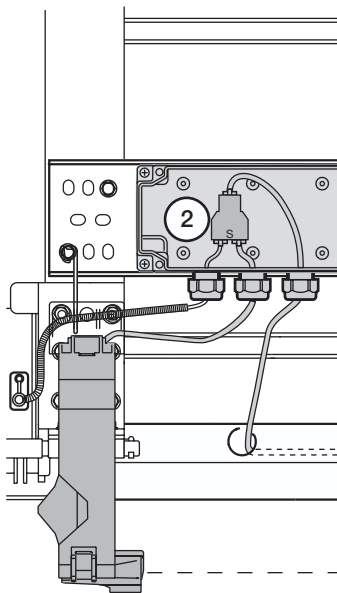
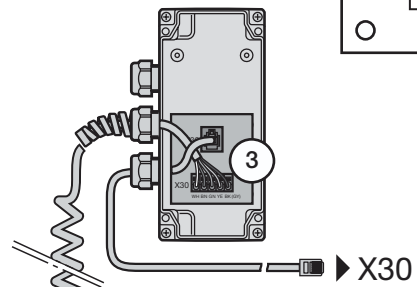
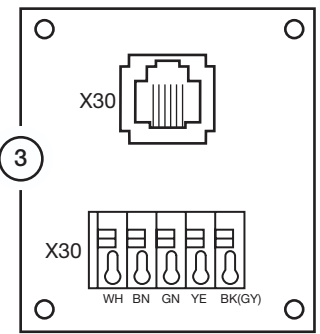
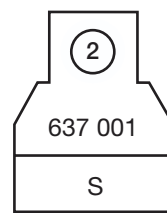
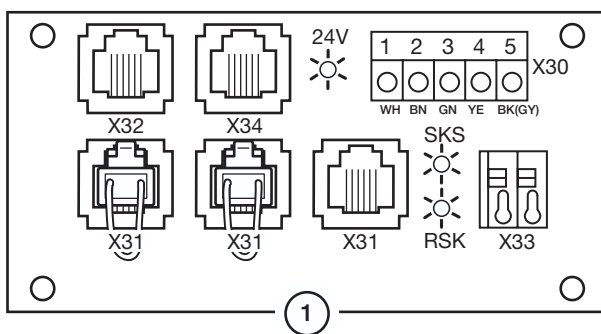
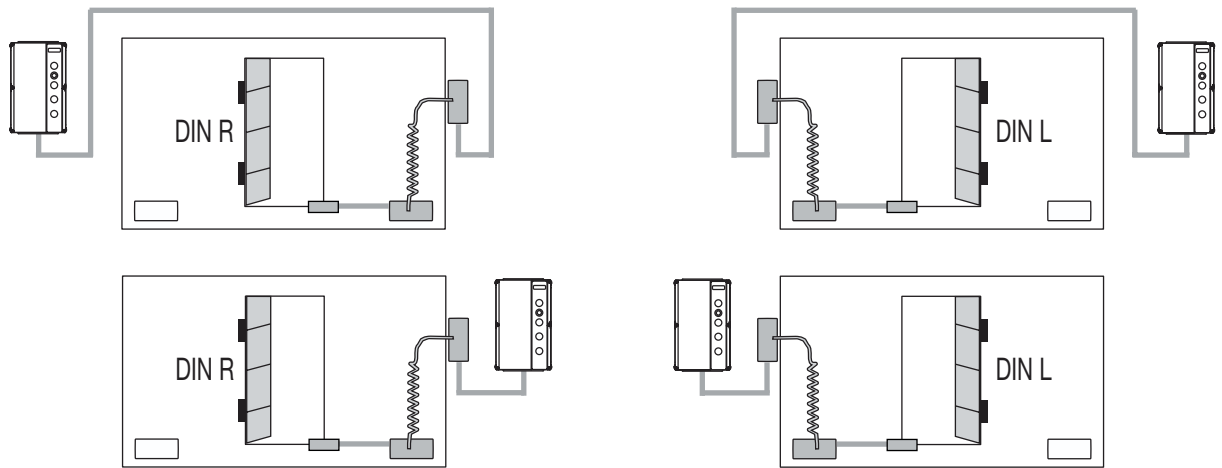
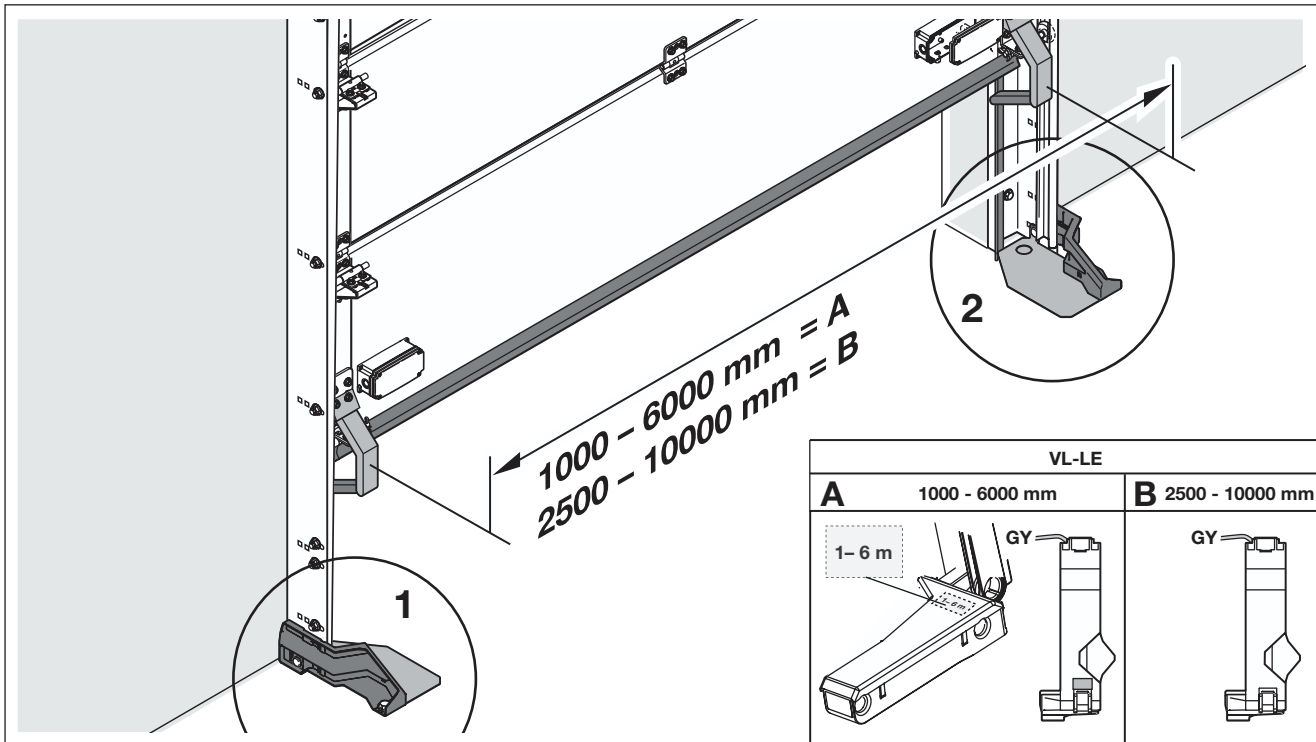


# VL2-LE





| VL-LE |                |    |                 |
|-------|----------------|----|-----------------|
| A     | 1000 - 6000 mm | B  | 2500 - 10000 mm |
| 1-6 m |                | GY |                 |

