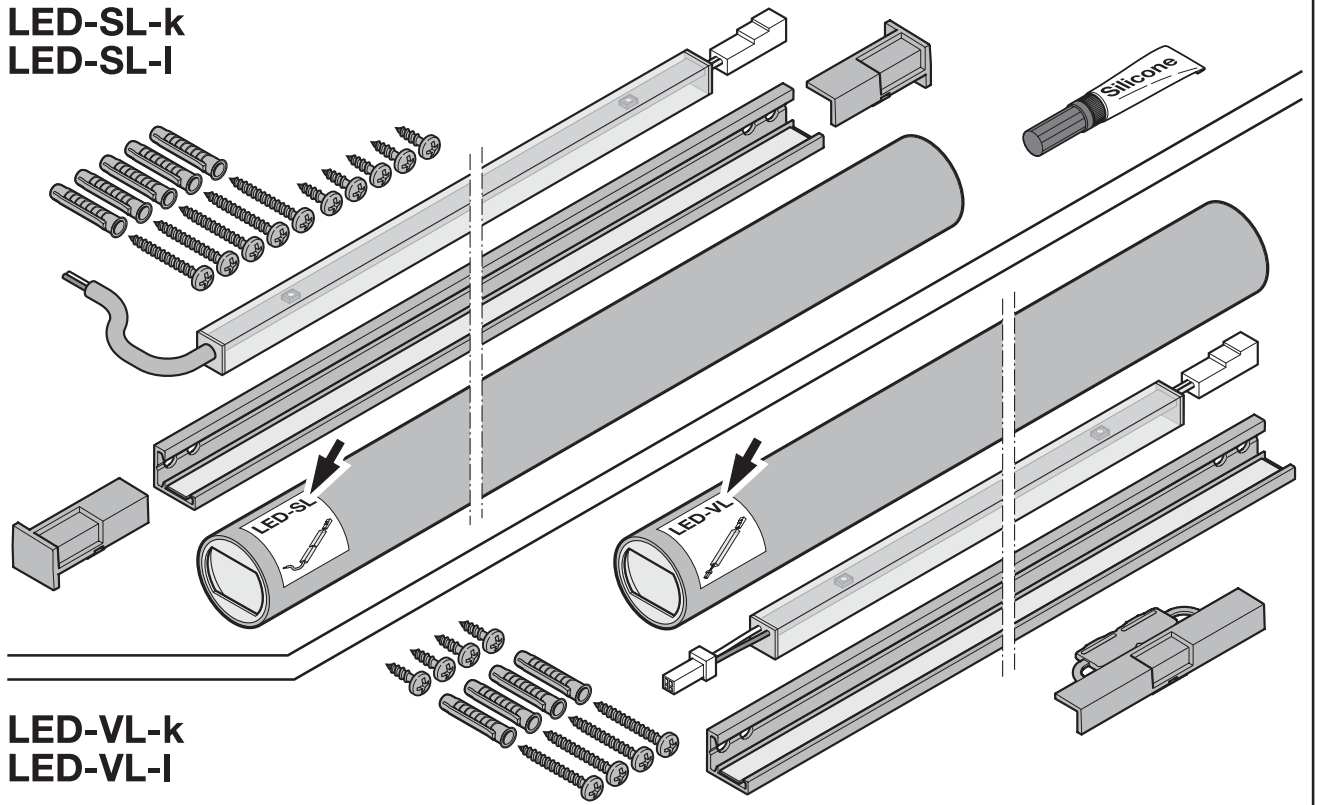
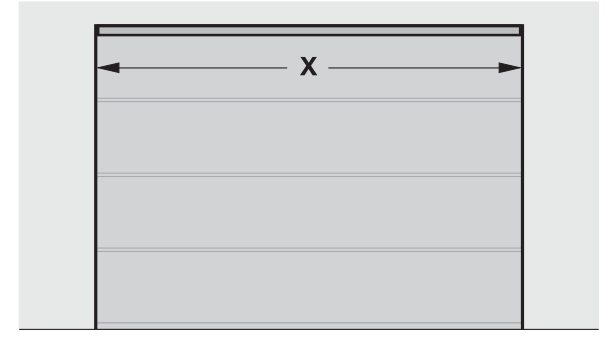
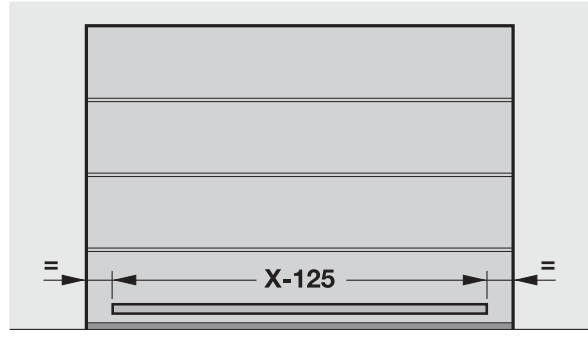
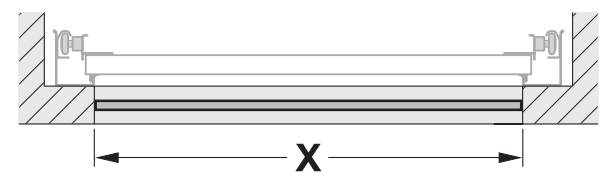
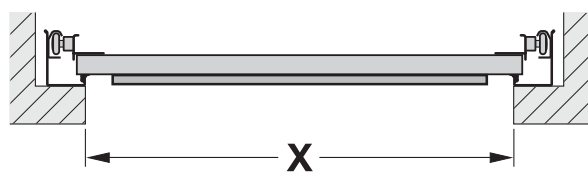
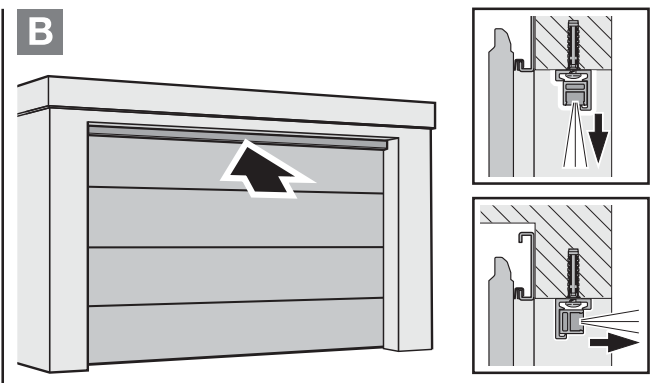
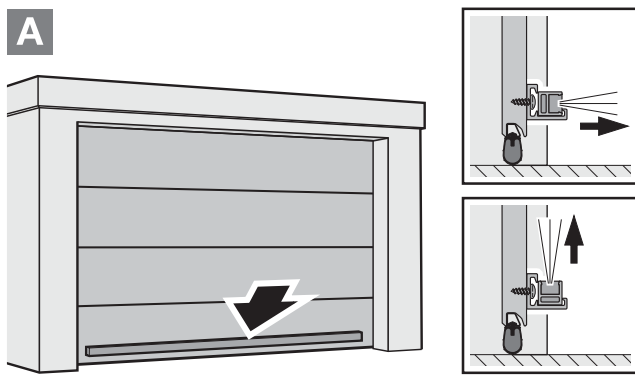


**LED-SL-k
LED-SL-I**



**LED-VL-k
LED-VL-I**

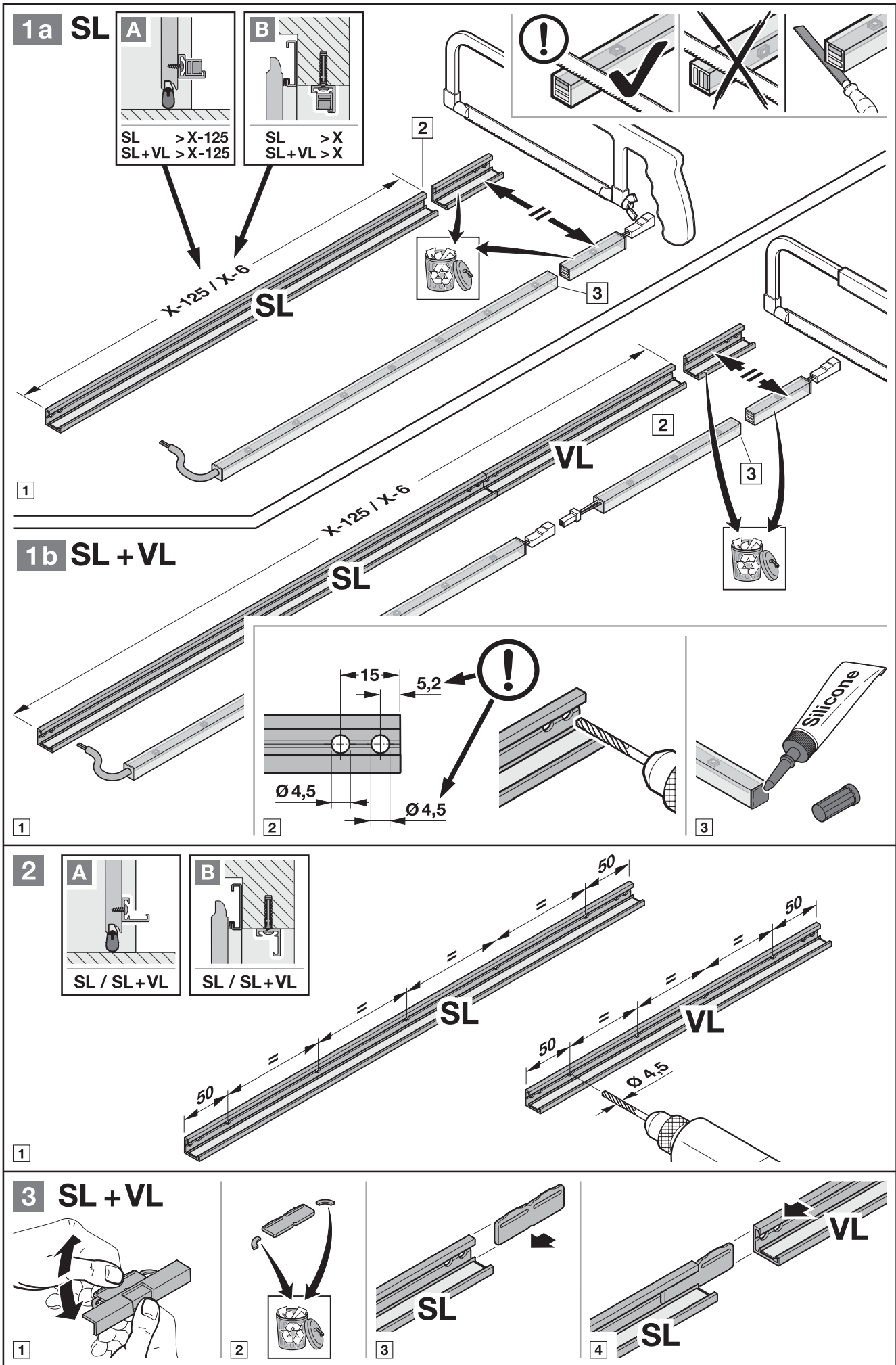


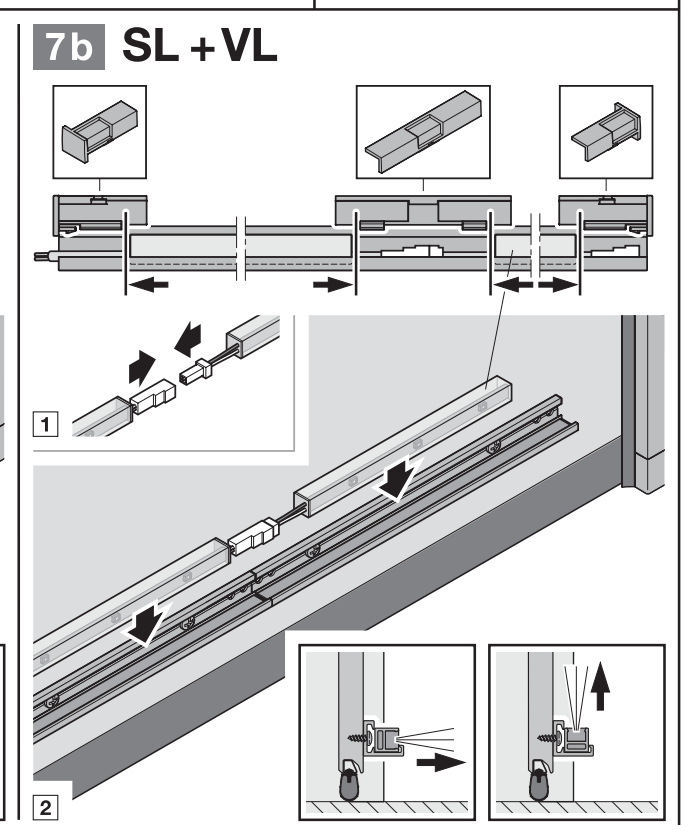
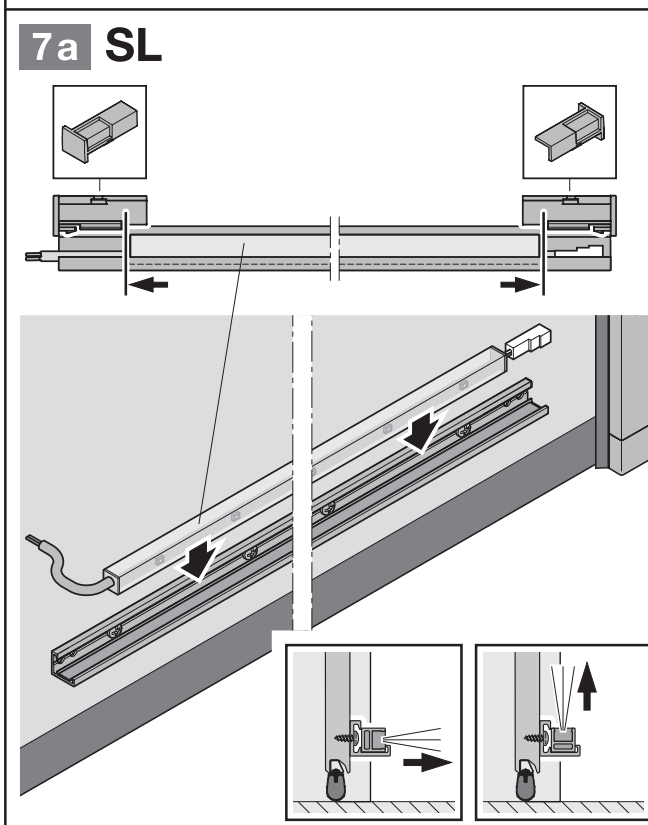
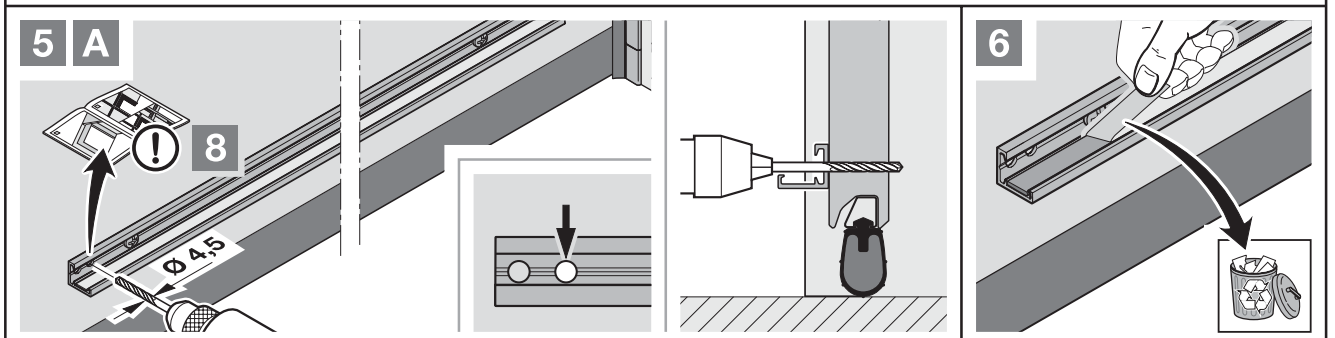
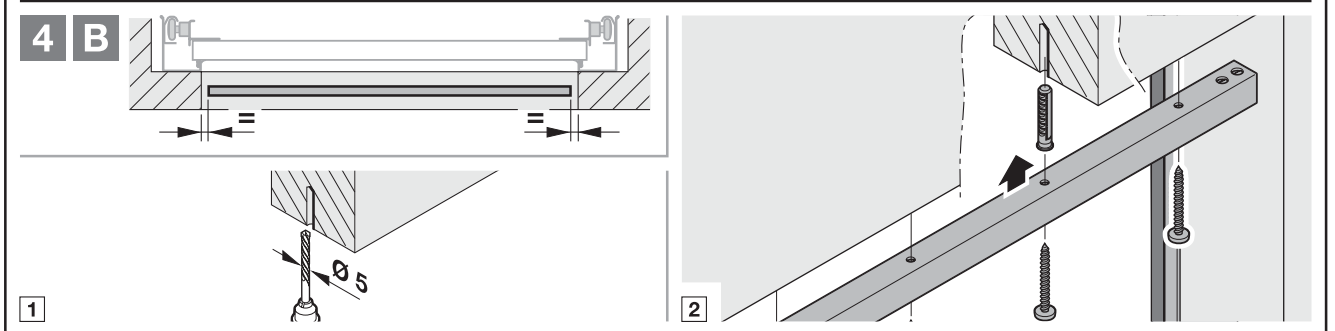
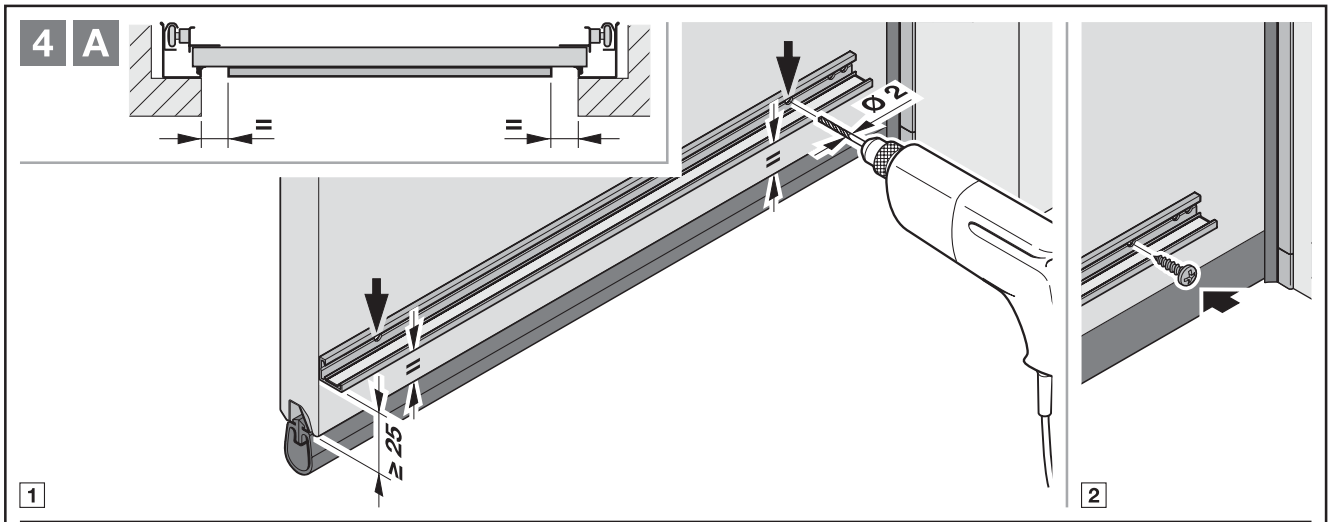
- SL > X-125 → 1a 2 ...
- SL + VL > X-125 → 1b 2 ...

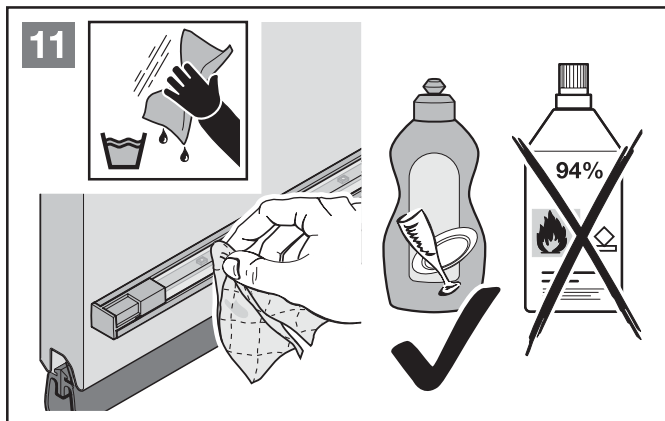
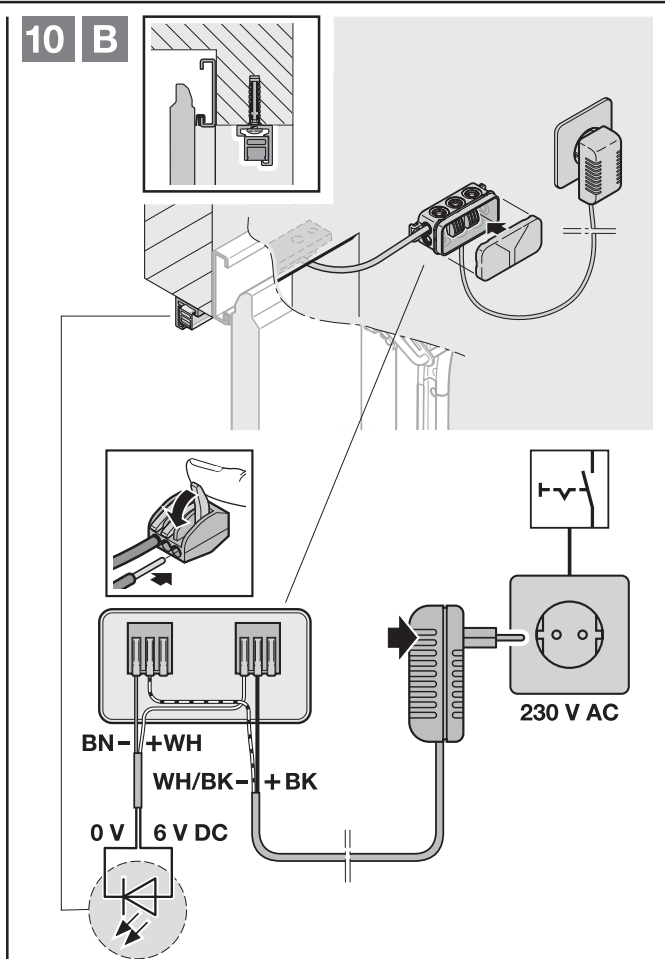
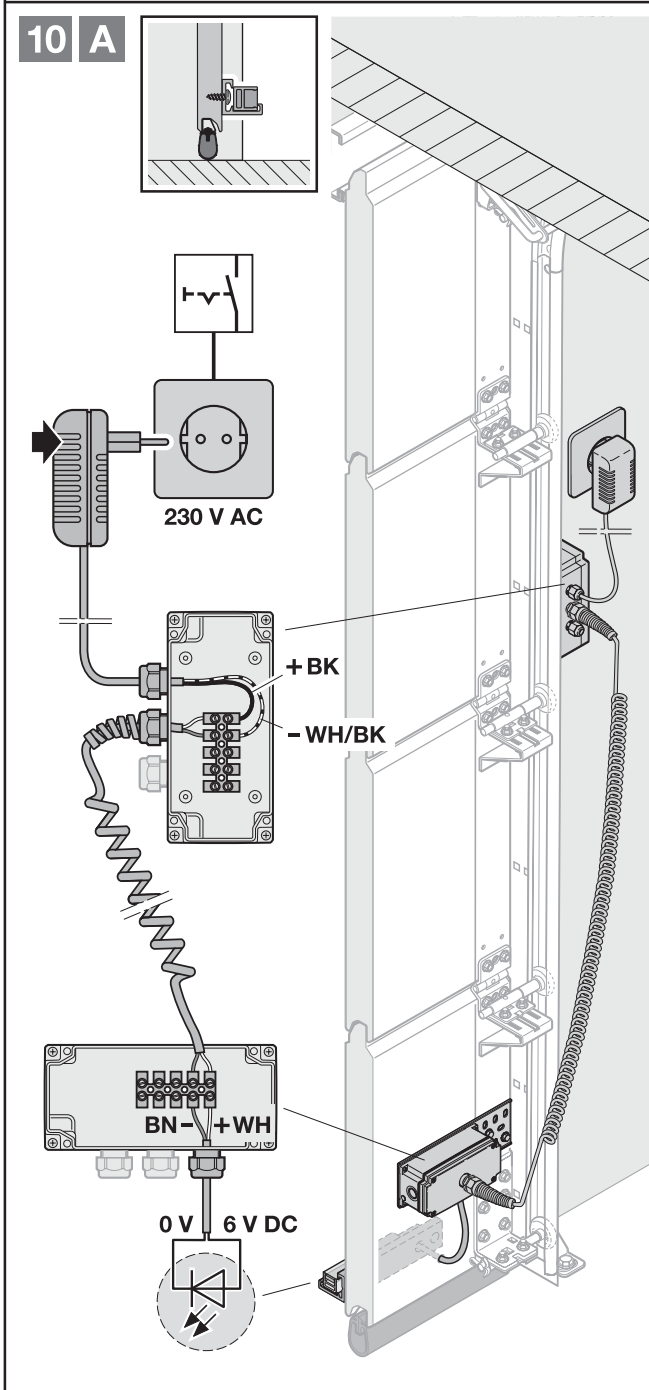
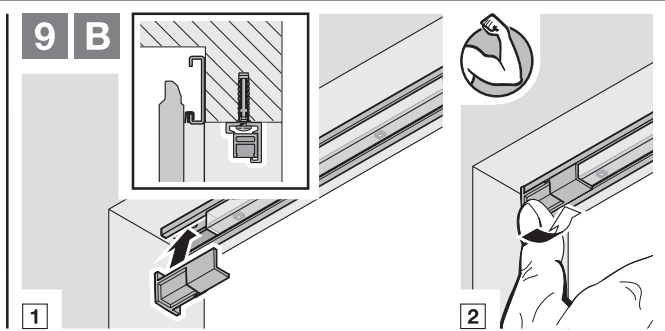
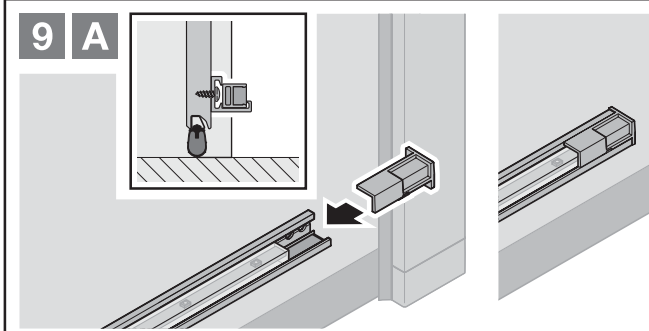
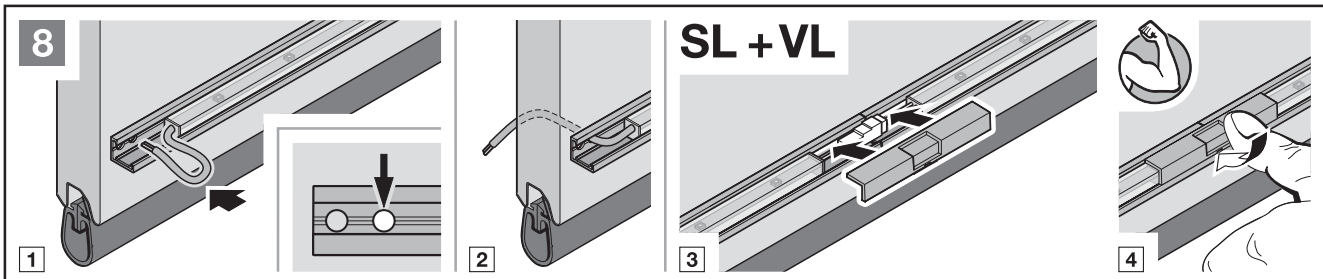
- SL = X-125
SL + VL = X-125 → 2 3 ...

- SL > X → 1a 2 ...
- SL + VL > X → 1b 2 ...

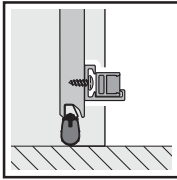
- SL = X
SL + VL = X → 2 3 ...



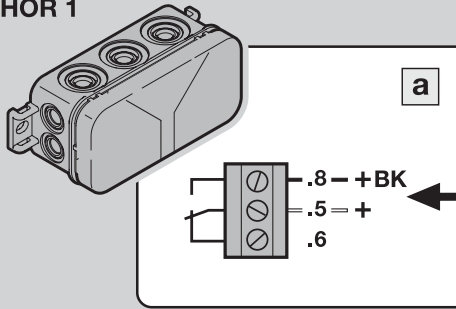




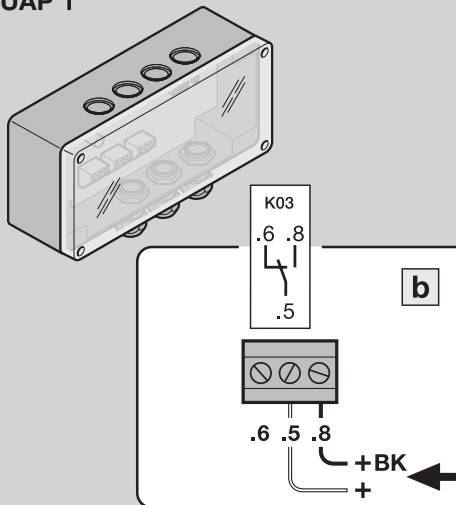
10 C



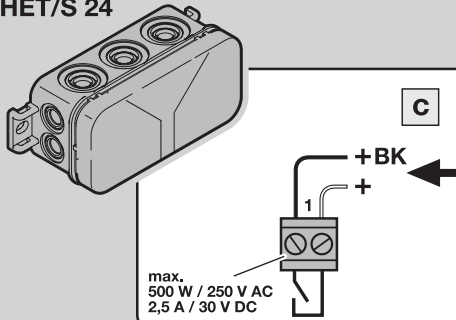
HOR 1



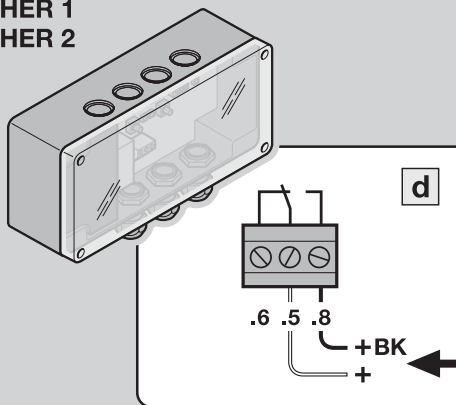
UAP 1



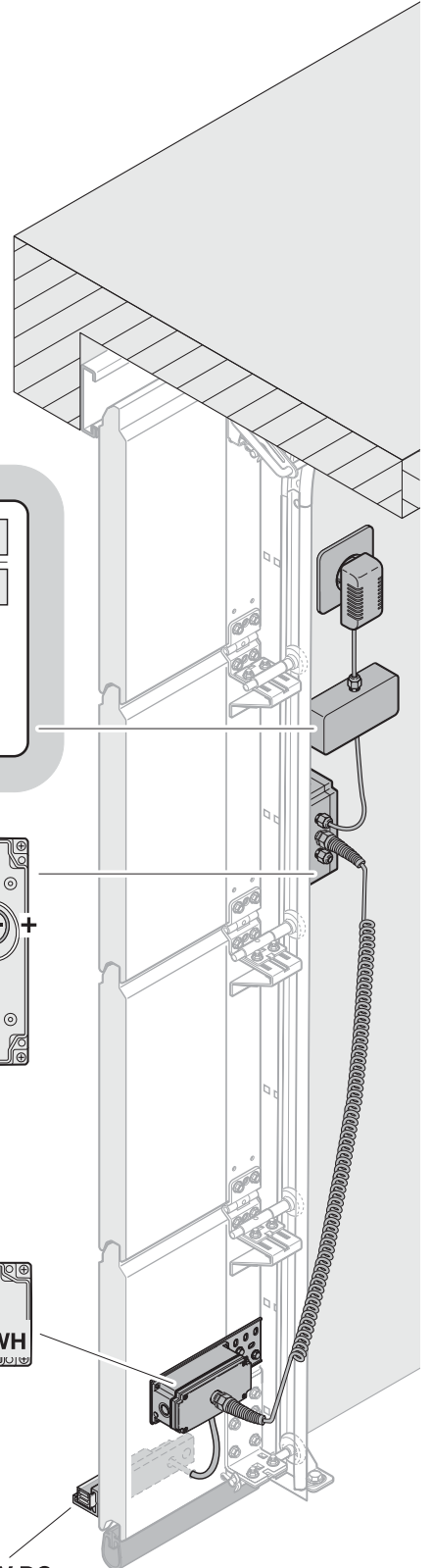
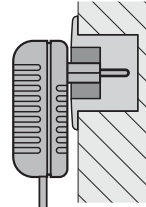
HET/S 2
HET/S 24



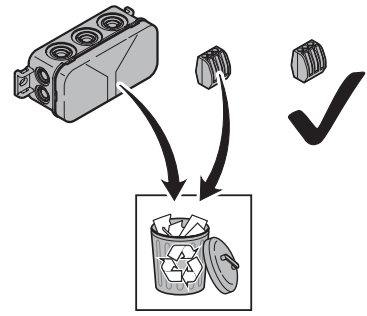
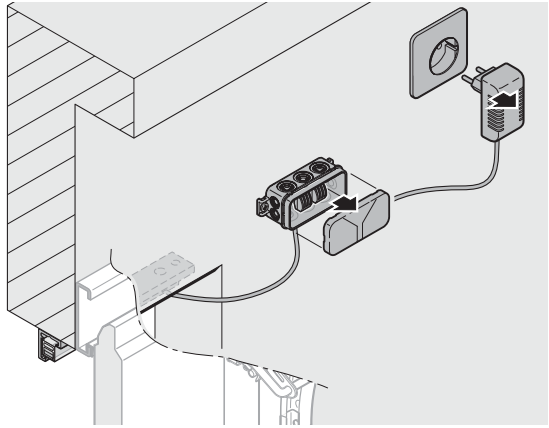
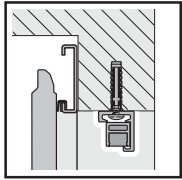
HER 1
HER 2



230 V AC



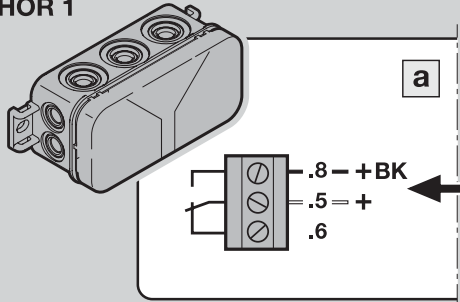
10 D



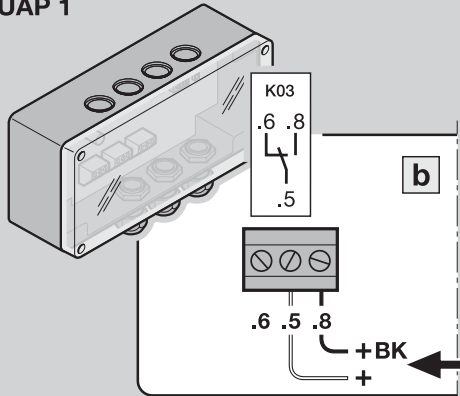
1

2

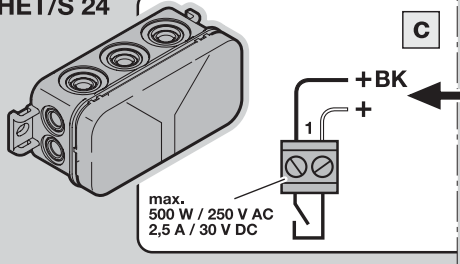
HOR 1



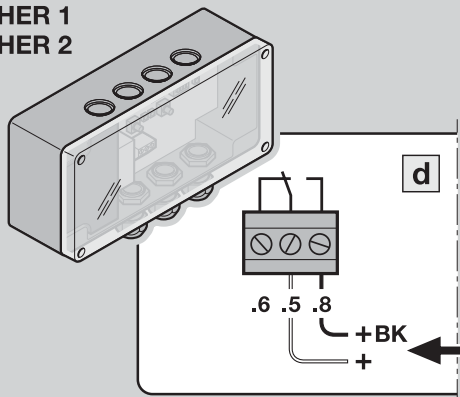
UAP 1



HET/S 2
HET/S 24



HER 1
HER 2



3

230 V AC

0 V 6 V DC